

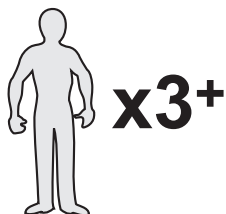
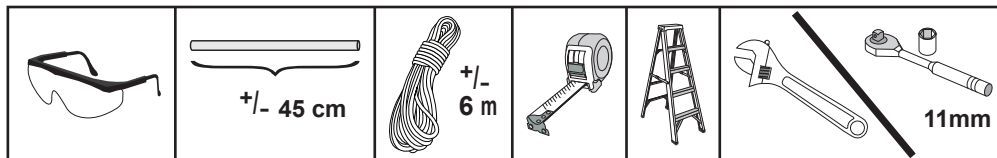
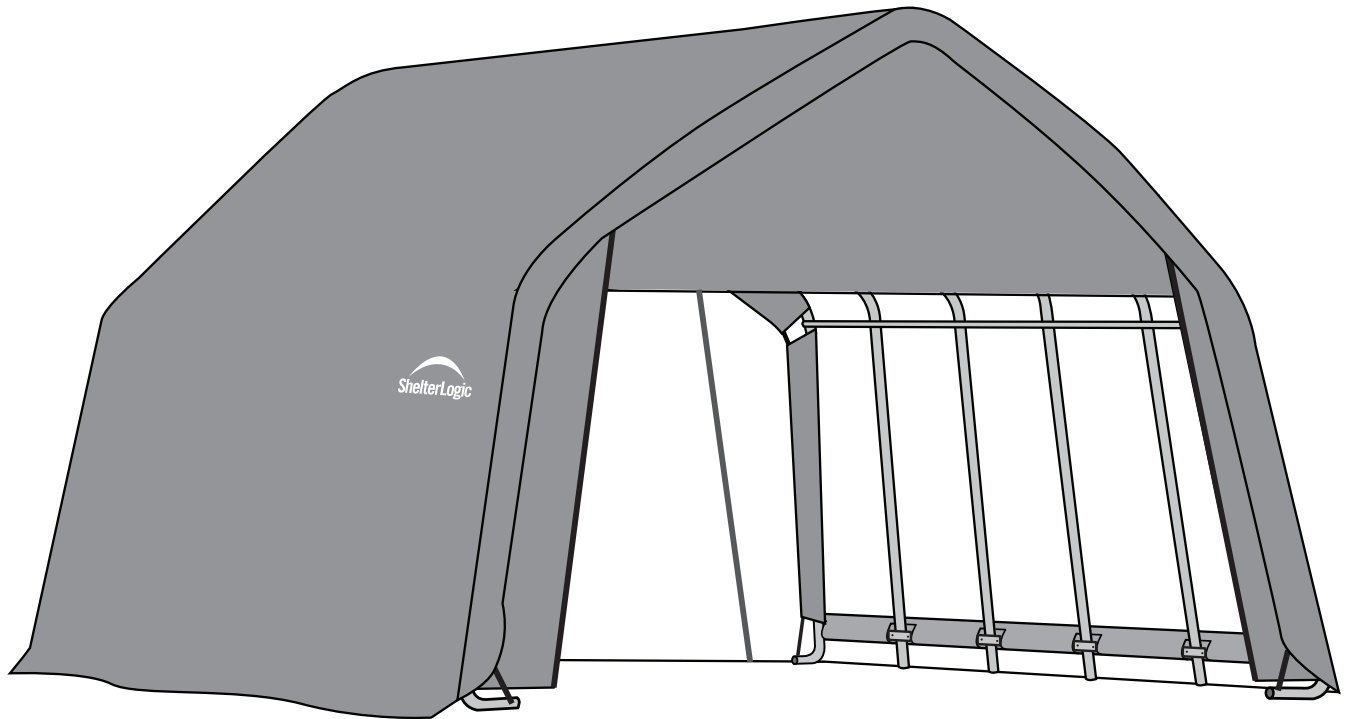
Garage-in-a-Box SUV/Truck[®]

4,0 x 6,1 x 3,7 m

#62693

TEMPORARY STRUCTURE

 = helpful information

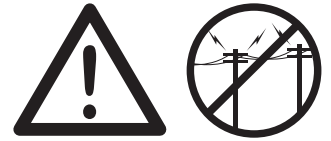


ATTENTION:

This shelter product is manufactured with quality materials. It is designed to fit the **ShelterLogic®**, LLC custom fabric cover included. **ShelterLogic®**, LLC Shelters offer storage and protection from damage caused by sun, light rain, tree sap, animal - bird excrement and light snow. Please anchor this **ShelterLogic®**, LLC structure properly. See manual for more anchoring details. Proper anchoring, keeping cover tight and free of snow and debris is the responsibility of the consumer. Please read and understand the installation detail, warnings and cautions prior to beginning installation. If you have any questions call the customer service number listed below. Please refer to the warranty card inside this package.

DANGER:

Prior to installation, consult with all local municipal codes regarding installation of temporary shelters. Choose the location of your shelter carefully. **DANGER: Keep away from electrical wires.** Check for overhead utility lines, tree branches or other structures. Check for underground pipes or wires before you dig. DO NOT install near roof lines or other structures that could shed snow, ice or excessive run off onto your shelter. DO NOT hang objects from the roof or support cables.



WARNING:

Risk of fire. DO NOT smoke or use open flame devices (including grills, fire pits, deep fryers, smokers or lanterns) in or around the shelter. DO NOT store flammable liquids (gasoline, kerosene, propane, etc.) in or around your shelter. Do not expose top or sides of the shelter to open fire or other flame source.



CAUTION:

Use **CAUTION** when erecting the frame. Use safety goggles during installation. Secure and bolt together overhead poles during assembly. Beware of pole ends.

PROPER ANCHORING AND INSTALLATION OF FRAME:

PROPER ANCHORING OF THE FRAME IS THE RESPONSIBILITY OF THE CONSUMER.

ShelterLogic®, LLC is not responsible for damage to the unit or the contents from acts of nature. Any shelter that is not anchored securely has the potential to fly away causing damage, and is not covered under the warranty. Periodically check the anchors to ensure stability of shelter. **ShelterLogic®**, LLC cannot be responsible for any shelter that blows away. **NOTE:** *Your shelter's cover can be quickly removed and stored prior to severe weather conditions.* If strong winds or severe weather is forecast in your area, we recommend removal of cover.

REPLACEMENT PARTS, ASSEMBLY, SPECIAL ORDERS:

Genuine **ShelterLogic®**, LLC replacement parts and accessories are available from the factory, including anchoring kits for nearly any application, replacement covers, wall and enclosure kits, vent and light kits, frame parts, zippered doors and other accessories. All items are shipped factory direct to your door.

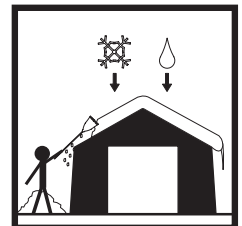
QUESTIONS - CLAIMS - SPECIAL ORDERS? CALL OUR CUSTOMER SERVICE HOTLINE:

U.S. CUSTOMER SERVICE: 1-800-524-9970 INTERNATIONAL CUSTOMER SERVICE: 001-860-945-6442 CANADA CUSTOMER SERVICE: 1-800-559-6175

HOURS OF OPERATION: MON-FRI 8:30AM-8:00PM EST, SAT-SUN 8:30AM-5:00PM EST.

CARE AND CLEANING:

A tight cover ensures longer life and performance. Always maintain a tight cover. Loose fabric can accelerate deterioration of cover fabric. Immediately remove any accumulated snow or ice from the roof structure with a broom, mop or other soft-sided instrument. Use extreme caution when removing snow from cover- always remove from outside the structure. DO NOT use hard-edged tools or instruments like rakes or shovels to remove snow. This could result in punctures to the cover. DO NOT use bleach or harsh abrasive products to clean the fabric cover. Cover is easily cleaned with mild soap and water.



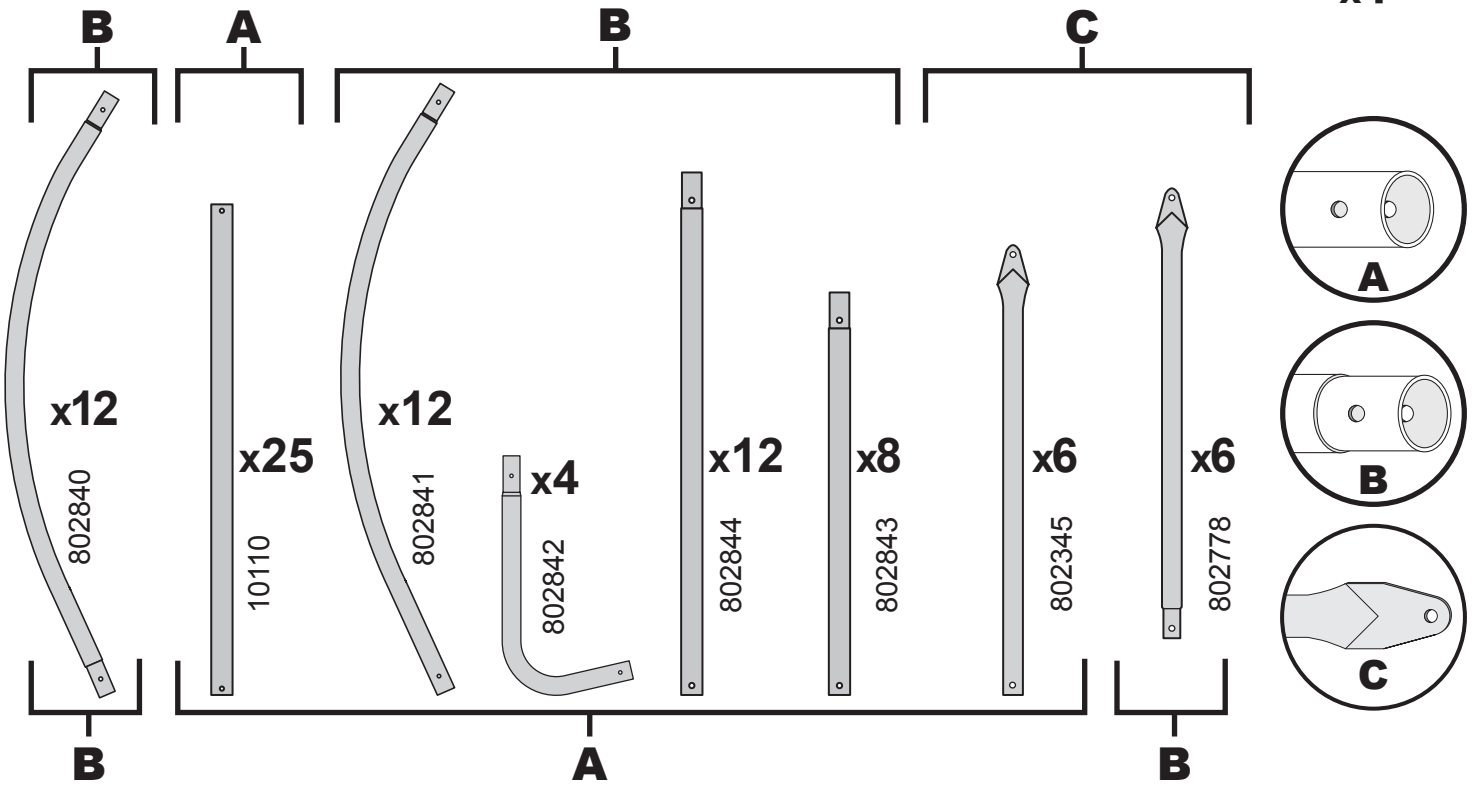
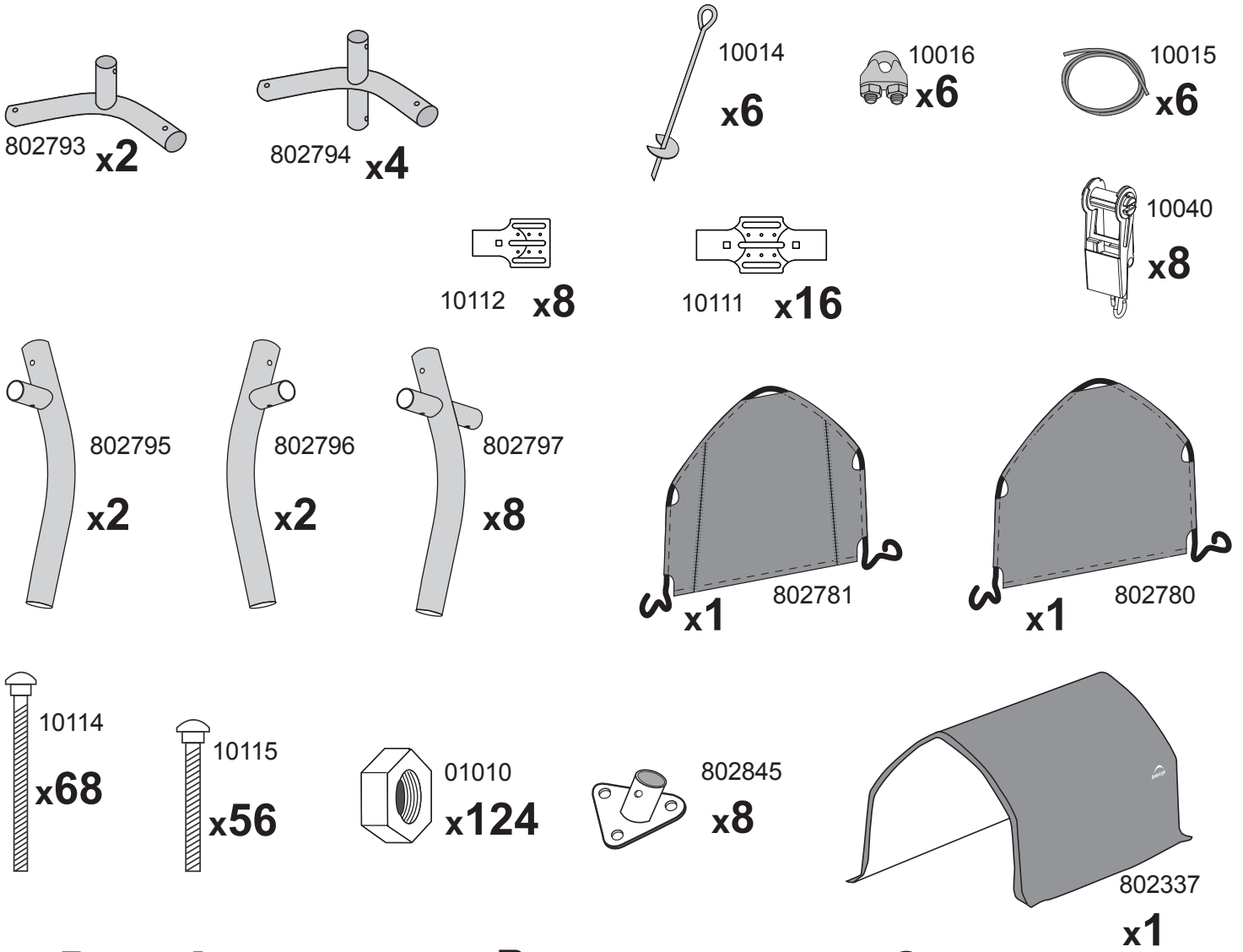
WARRANTY:

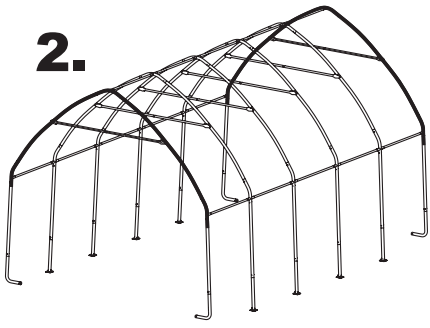
This shelter carries a full limited warranty against defects in workmanship. **ShelterLogic®**, LLC warrants to the Original Purchaser that if properly used and installed, the product and all associated parts, are free from manufacturer's defects for a period of:

1 YEAR FOR COVER FABRIC, END PANELS AND FRAMEWORK

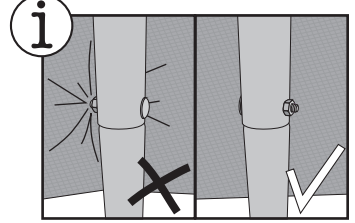
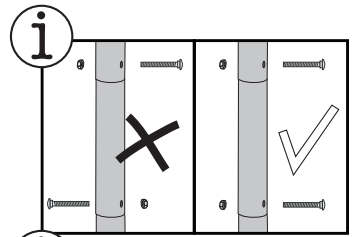
Warranty period is determined by date of shipment from **ShelterLogic®**, LLC for factory direct purchases or date of purchase from an authorized reseller, (please save a copy of your purchase receipt). If this product or any associated parts are found to be defective or missing at the time of receipt, **ShelterLogic®**, LLC will repair or replace, at it's option, the defective parts at no charge to the original purchaser. Replacement parts or repaired parts shall be covered for the remainder of the Original Limited Warranty Period. All shipping costs will be the responsibility of the customer. Parts and replacements will be sent C.O.D. You must save the original packaging materials for shipment back. If you purchased from a local dealer, all claims must have a copy of original receipt. After purchase, please fill out and return warranty card for product registration. Please see warranty card for more details.

Covered by U.S. Patents and patents pending: 6,871,614; 6,994,099; 7,296,584; D 430,306; D 415,571; D 414,564; D 409,310; D 415,572

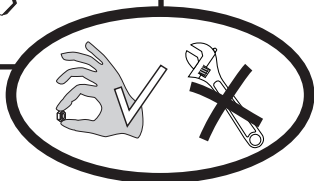
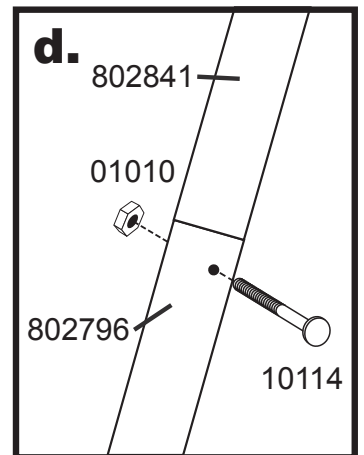
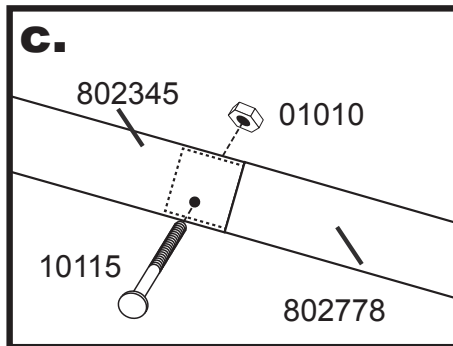
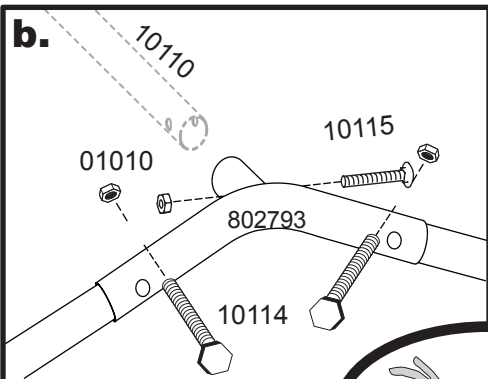
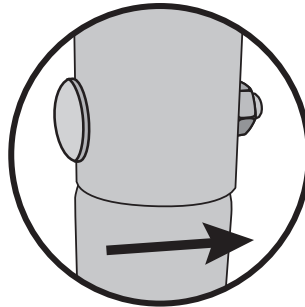
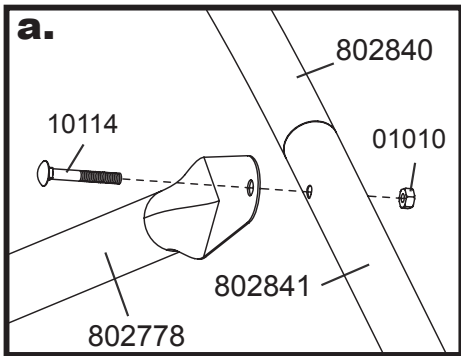
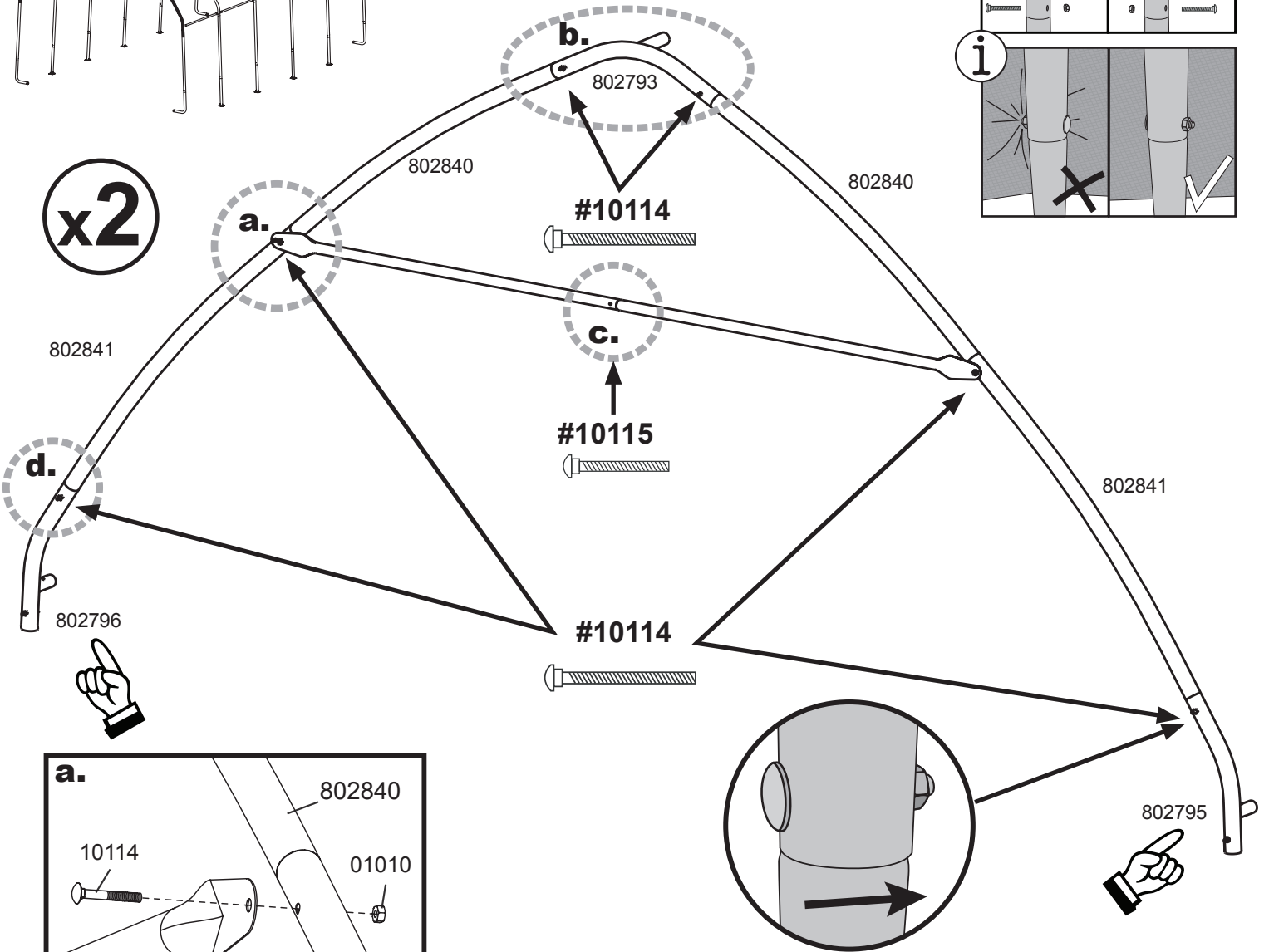




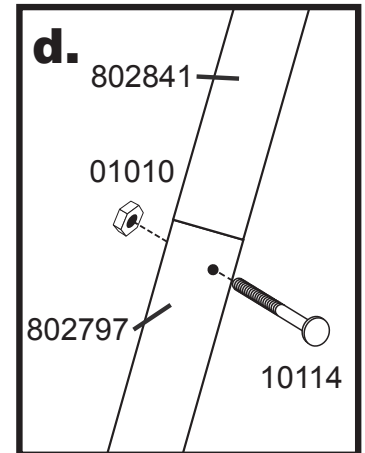
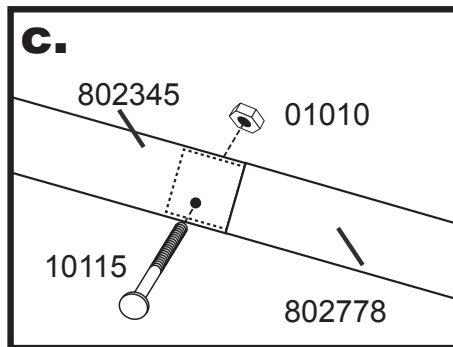
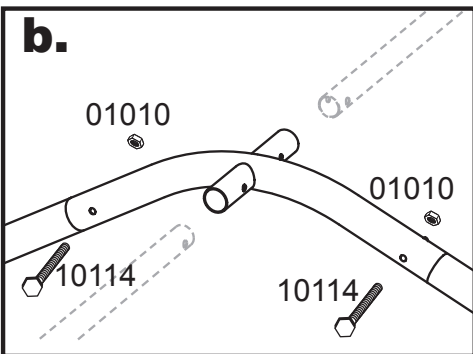
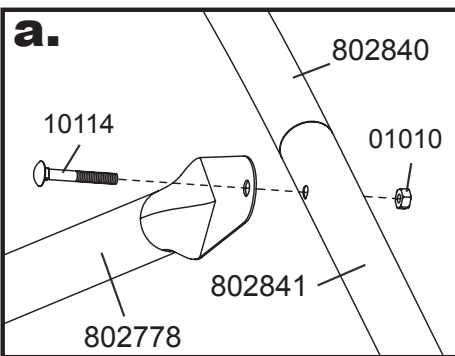
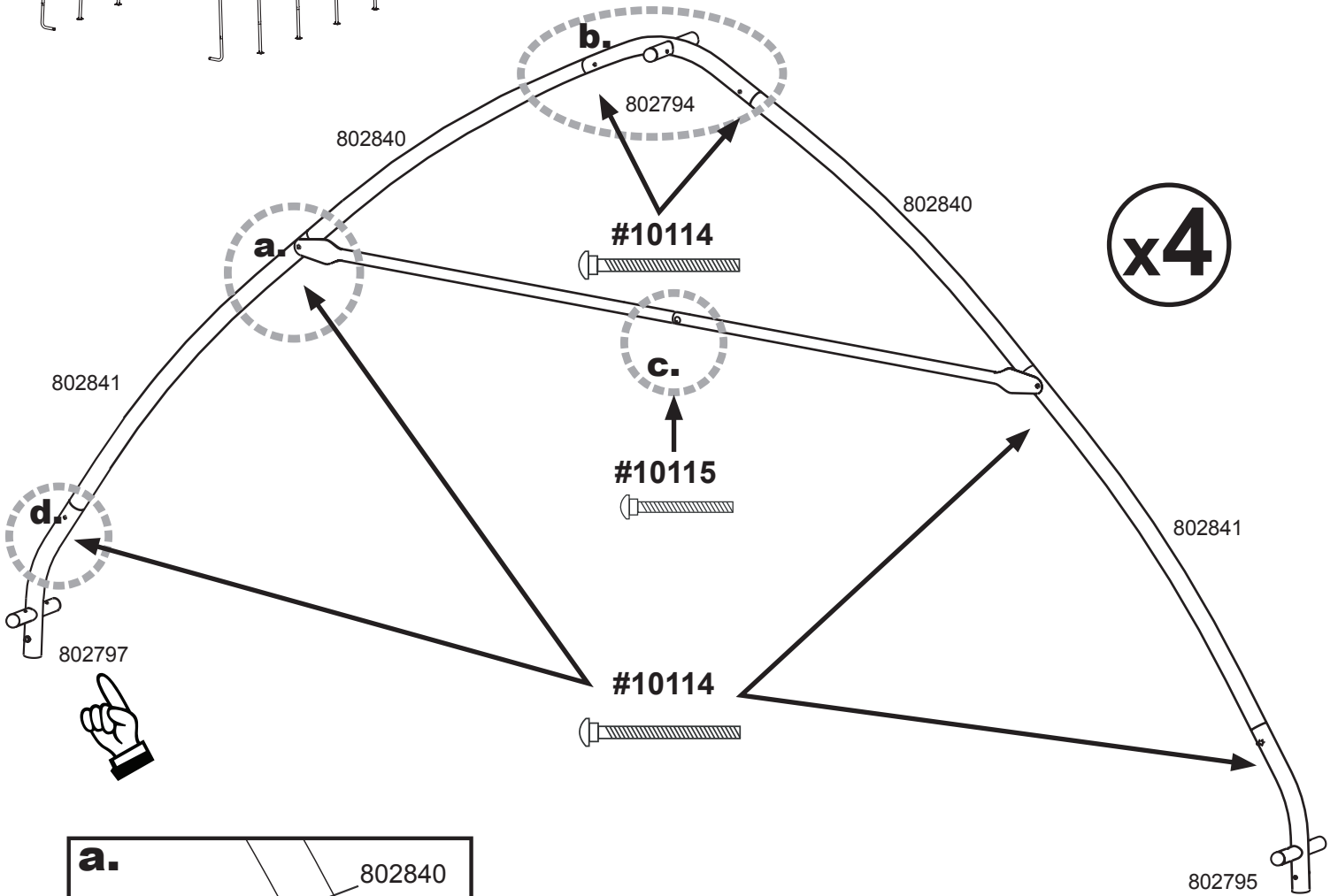
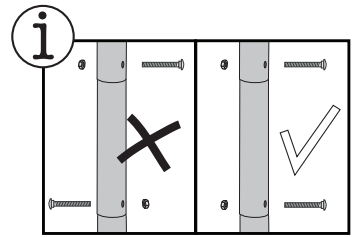
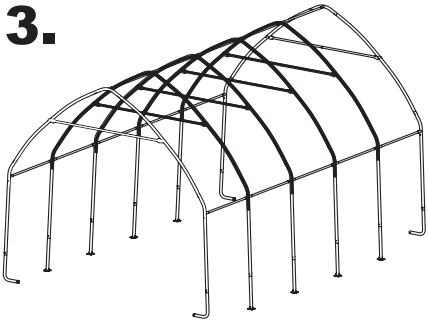
2.



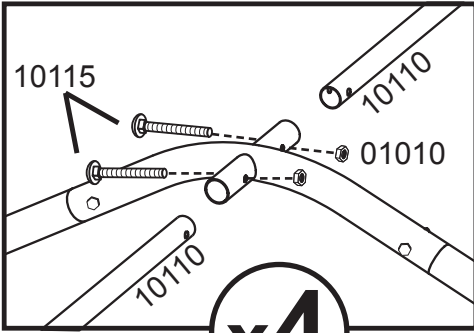
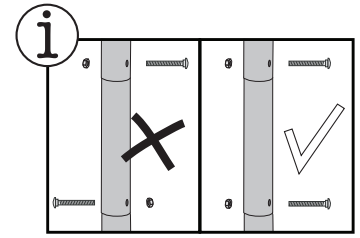
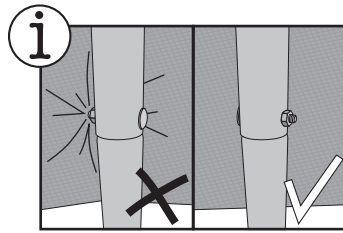
x2



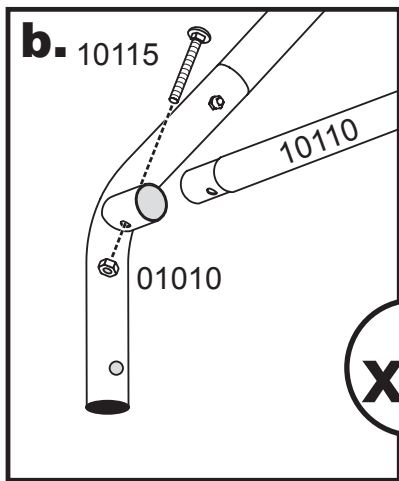
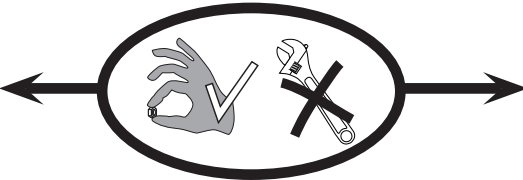
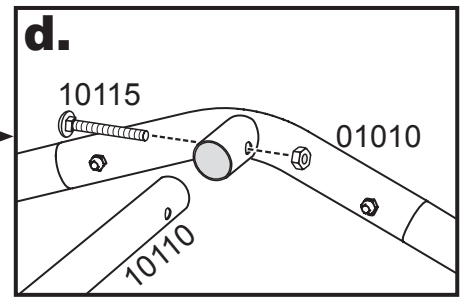
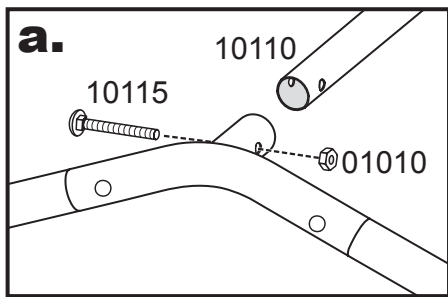
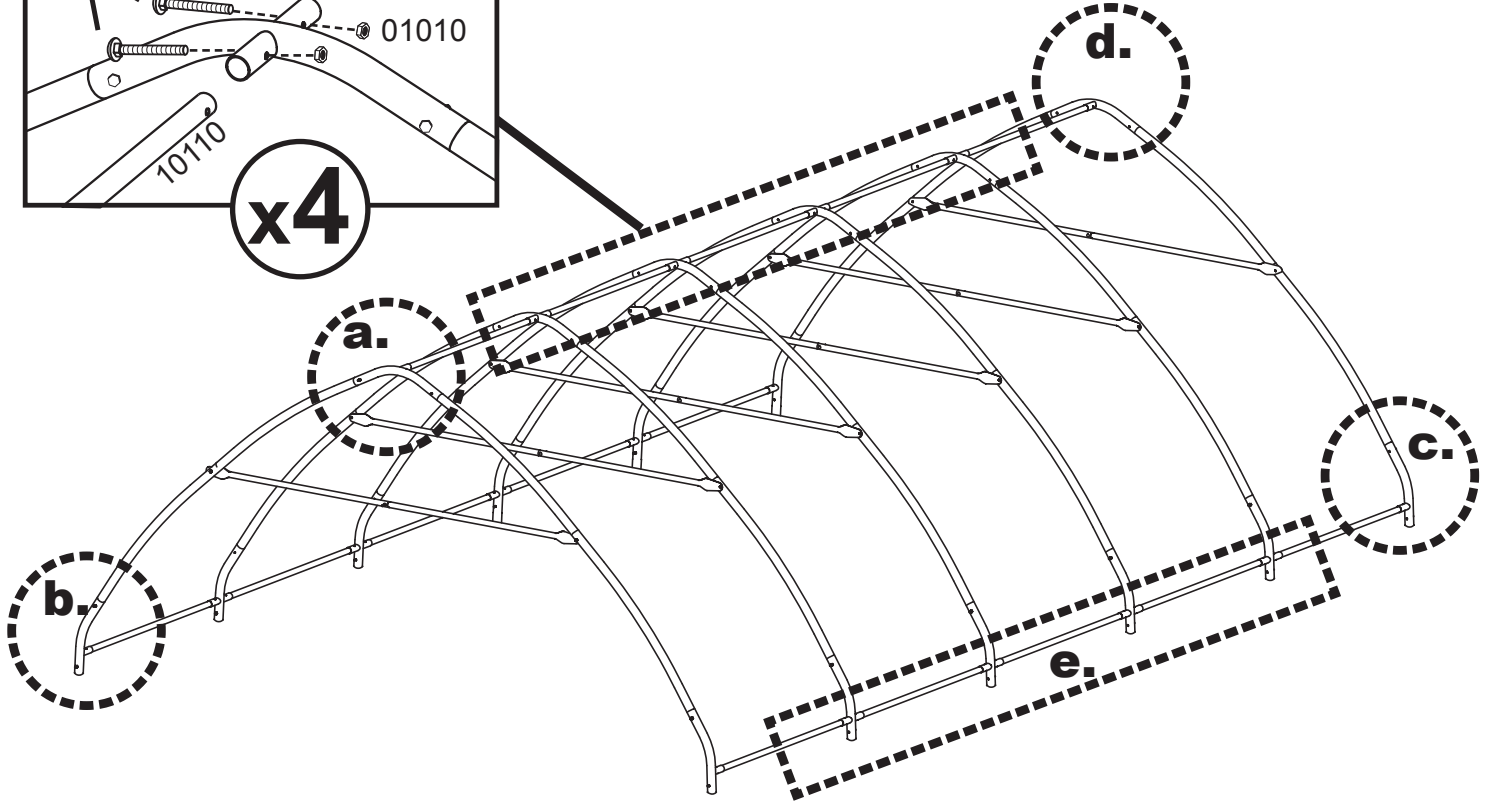
3.



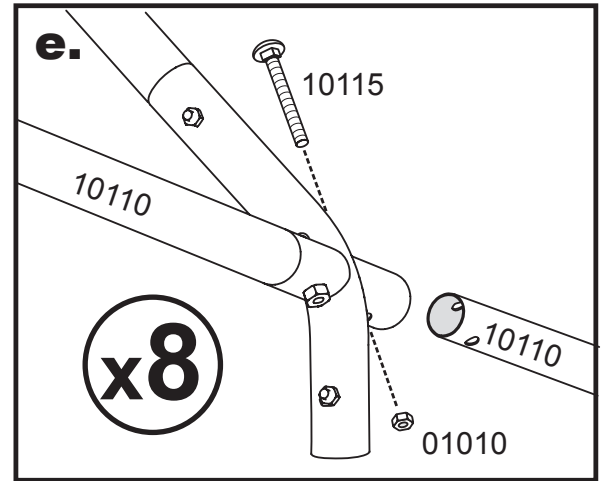
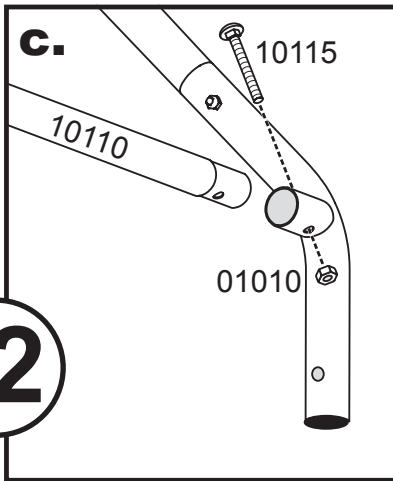
4.



x4

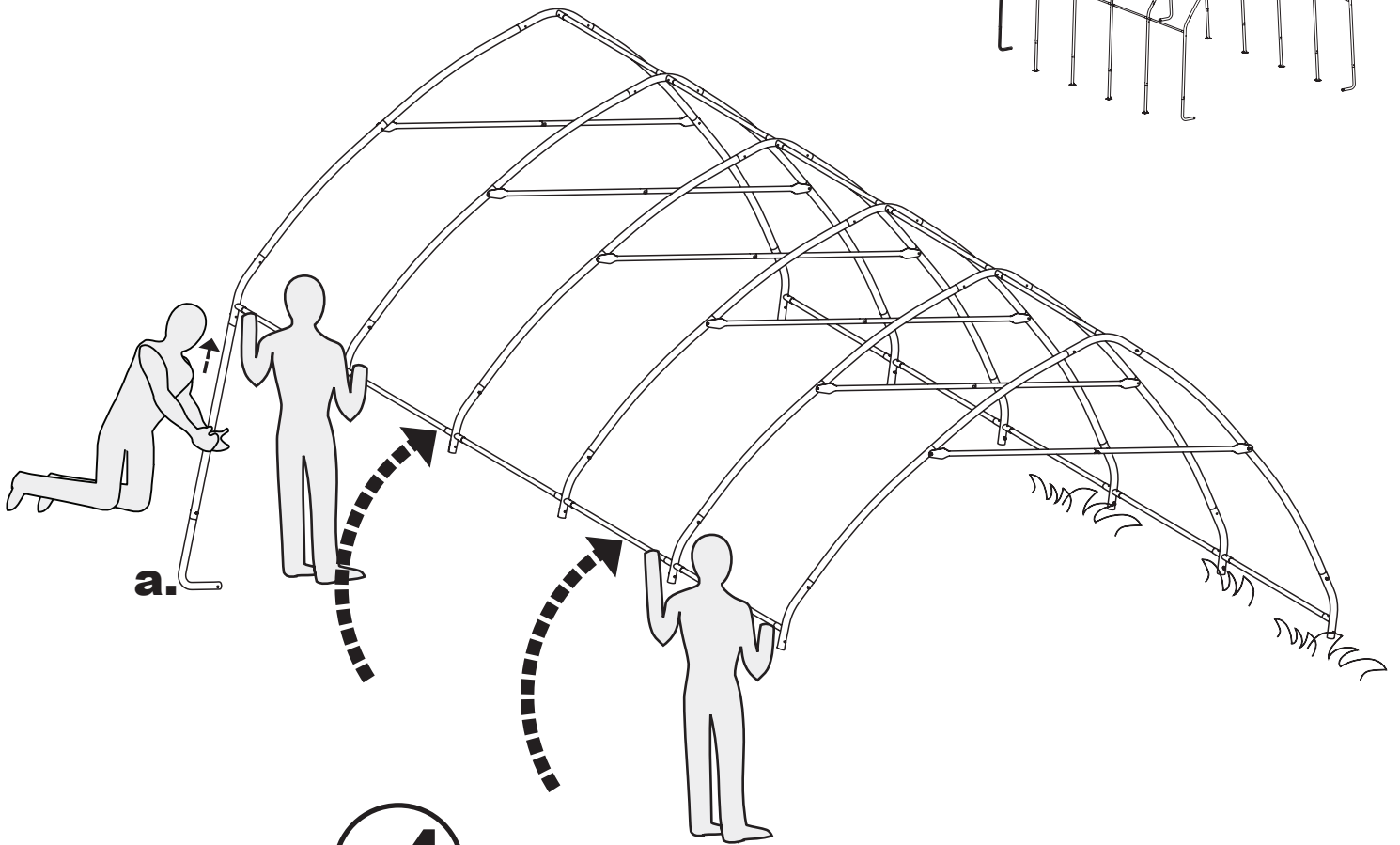
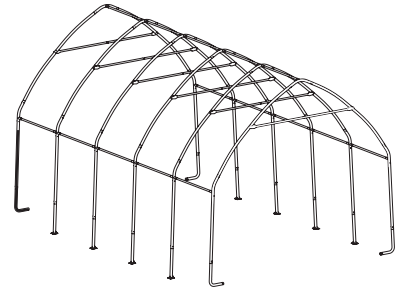
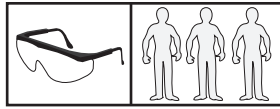


x2

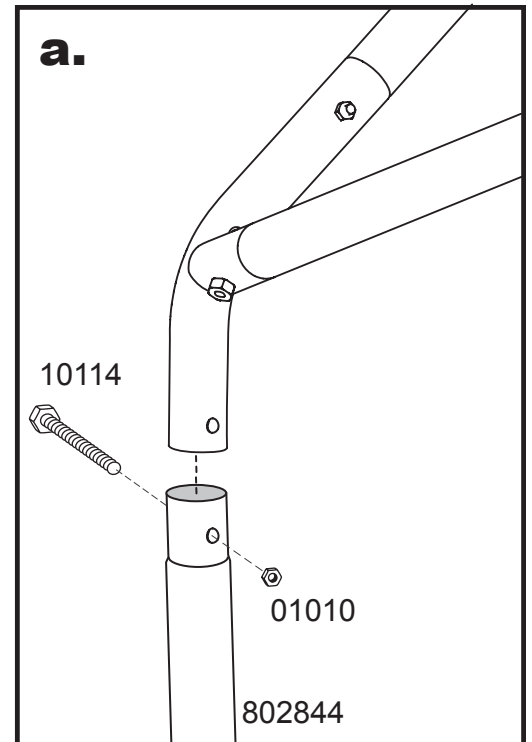
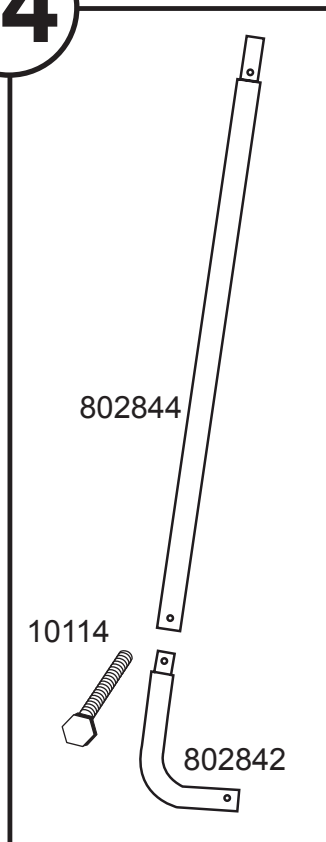
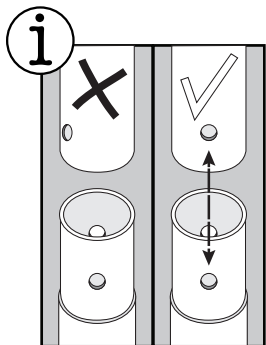


x8

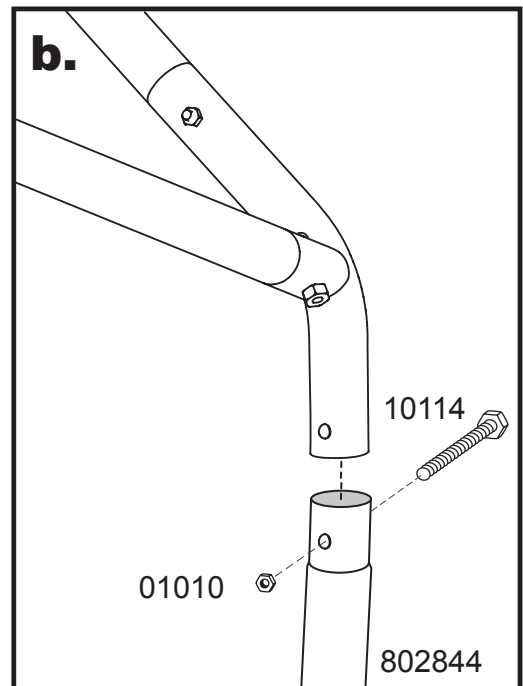
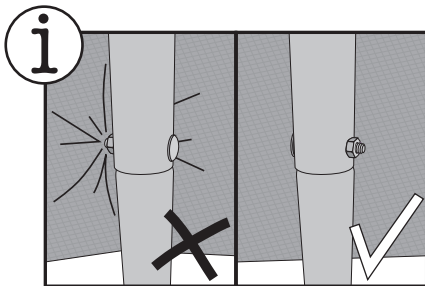
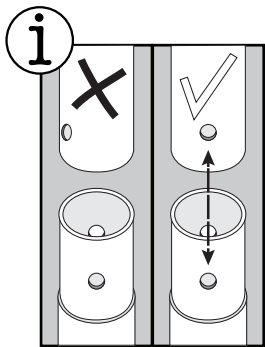
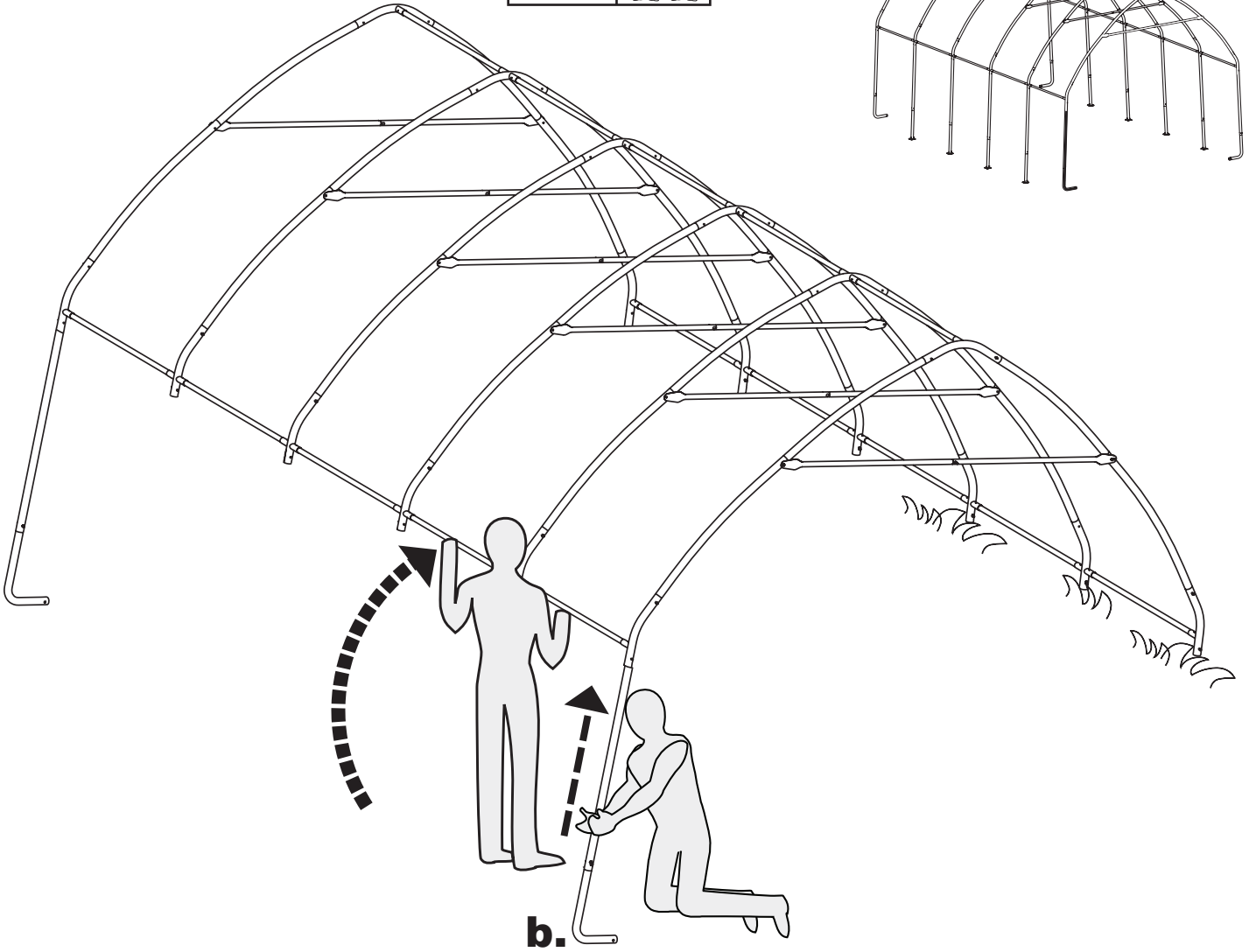
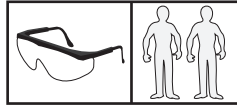
5.



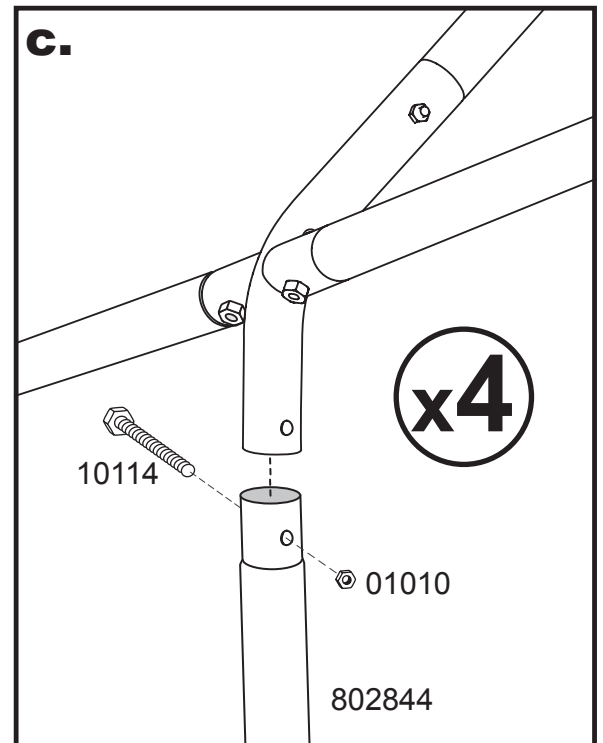
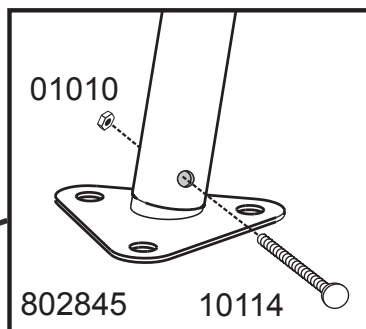
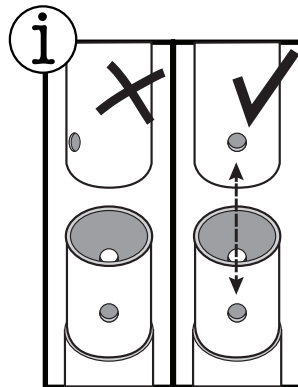
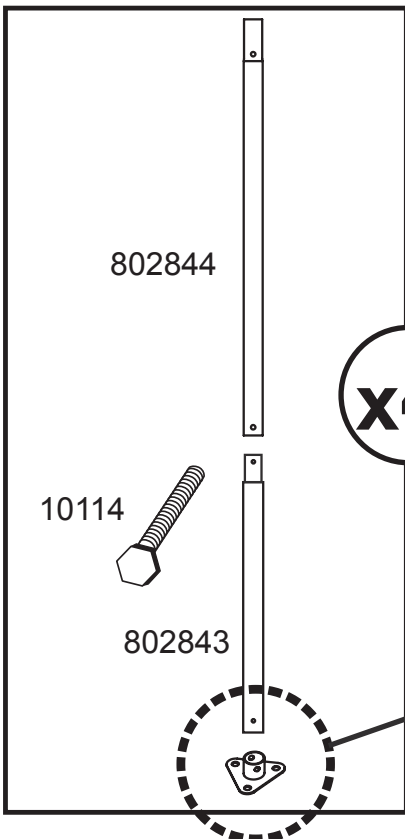
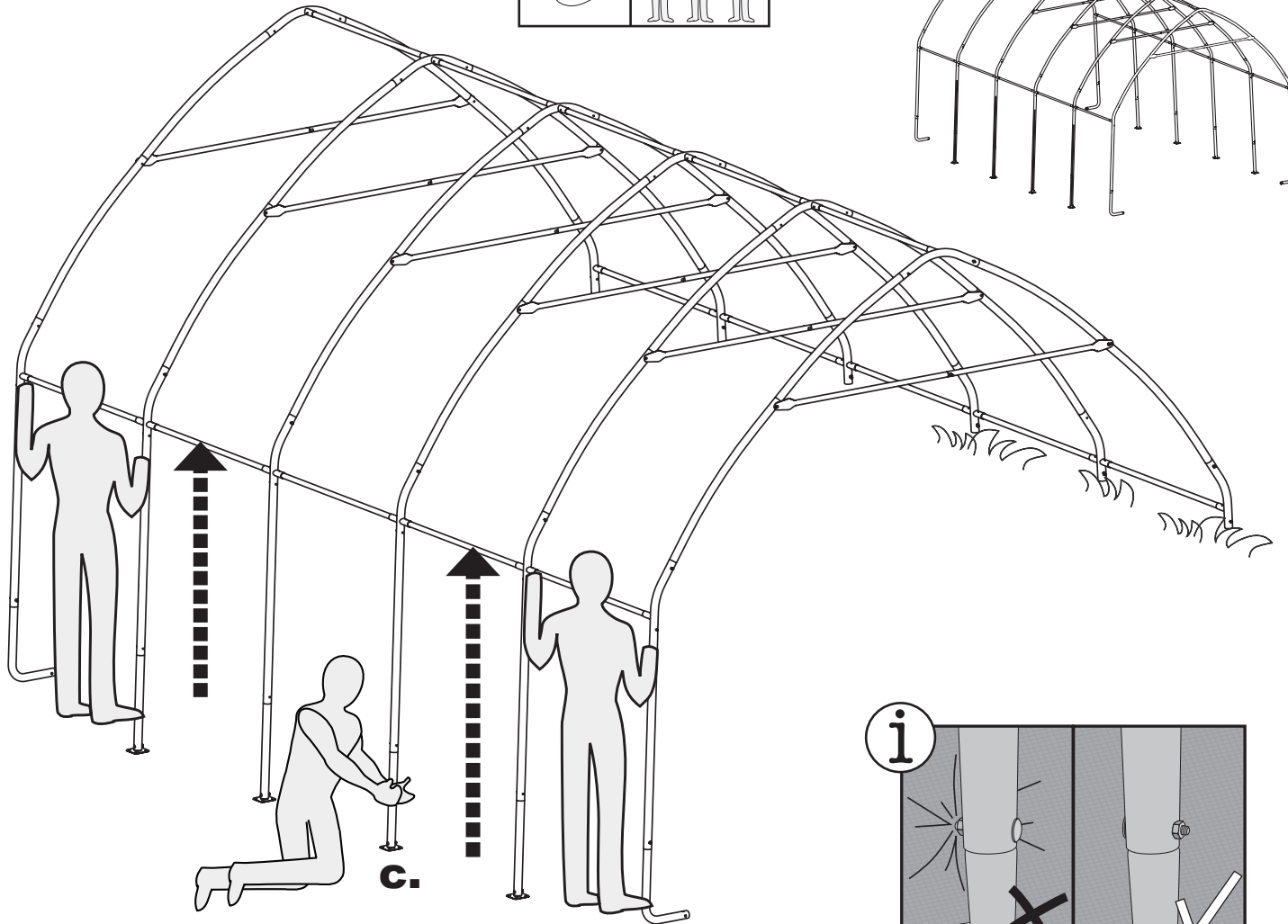
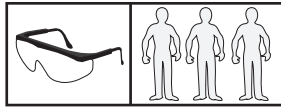
x4



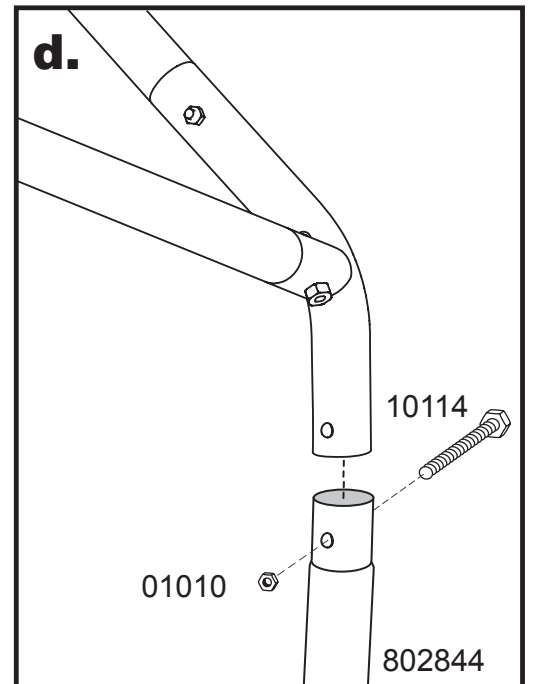
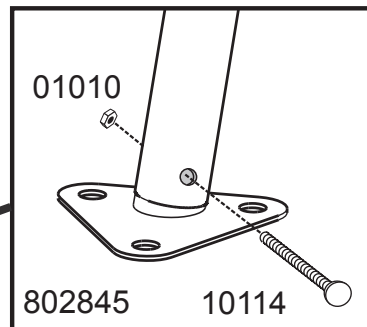
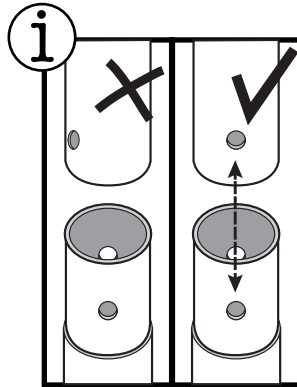
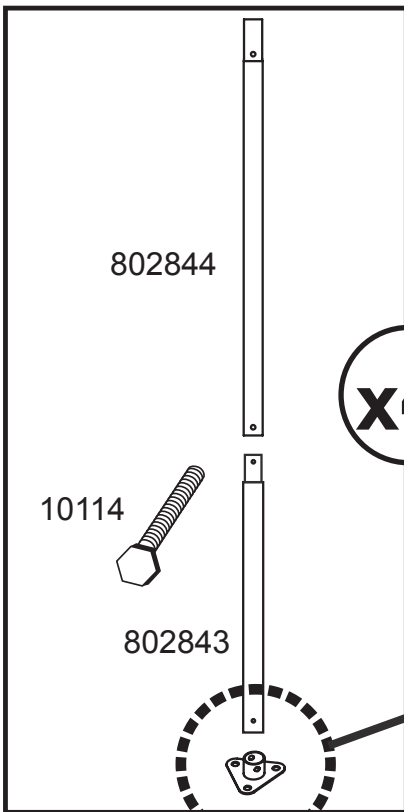
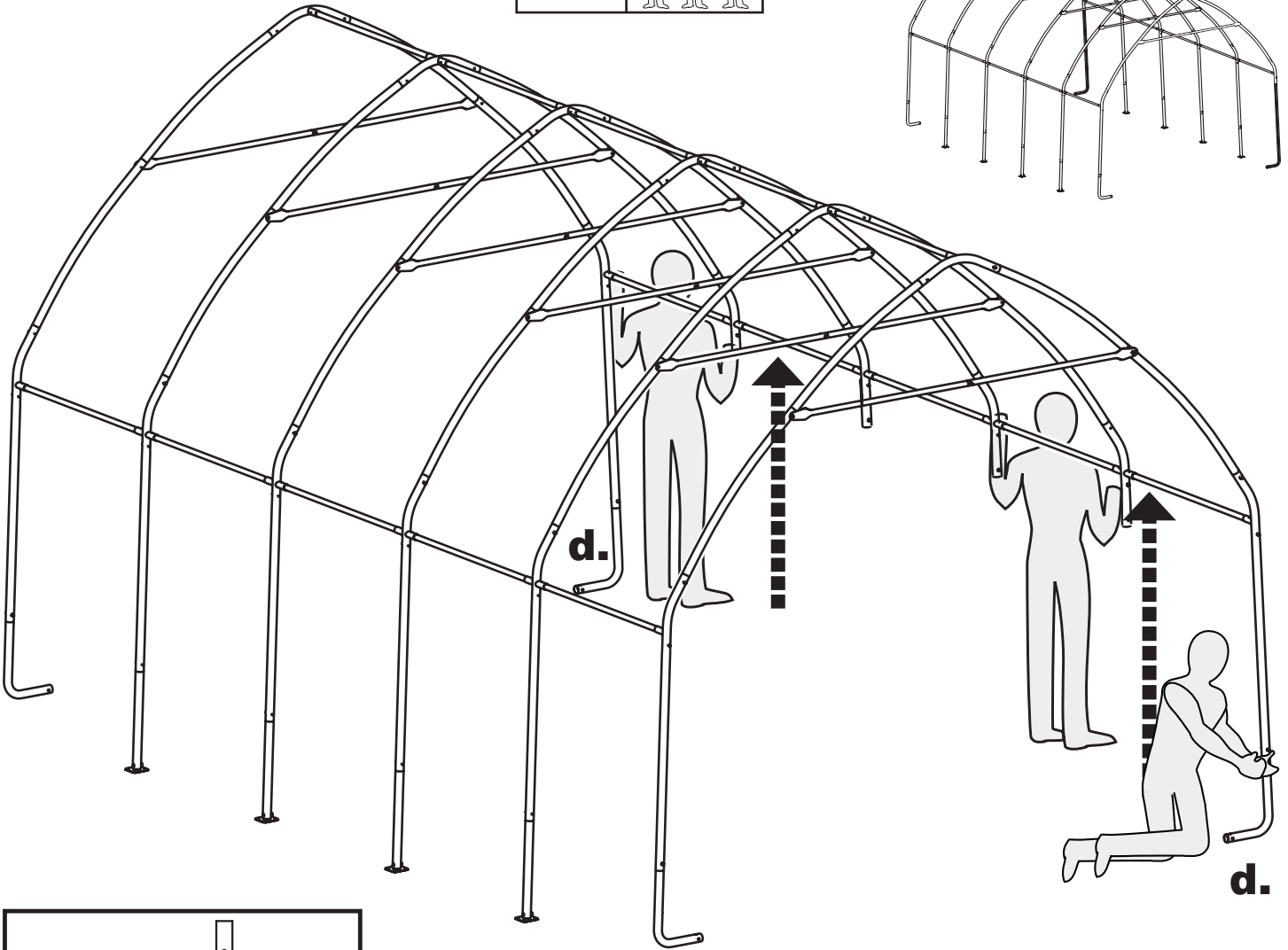
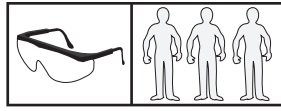
5.



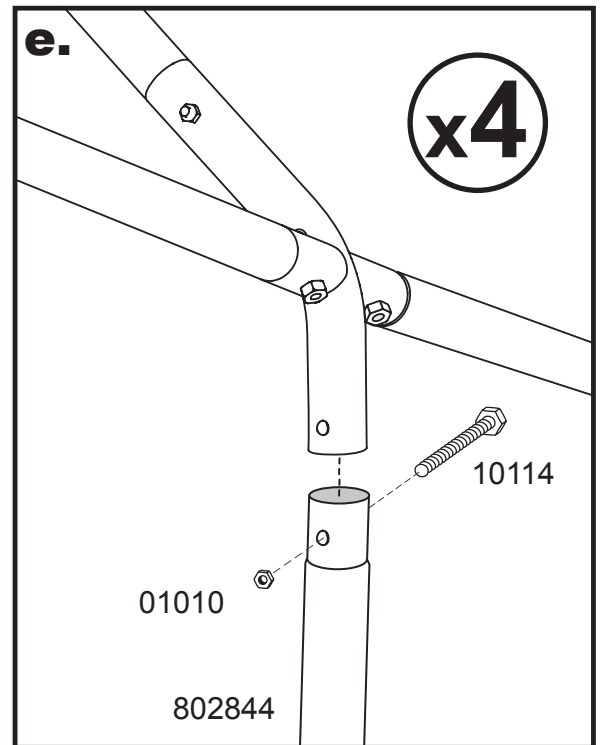
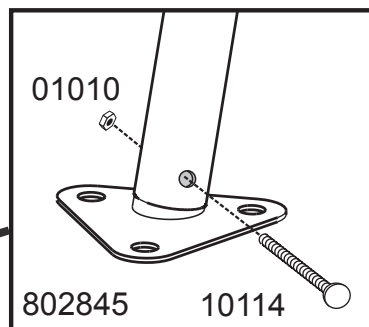
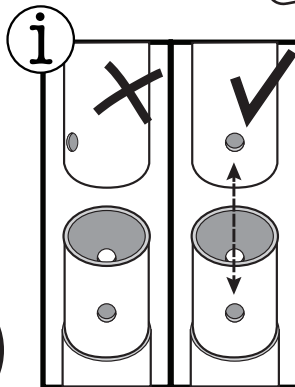
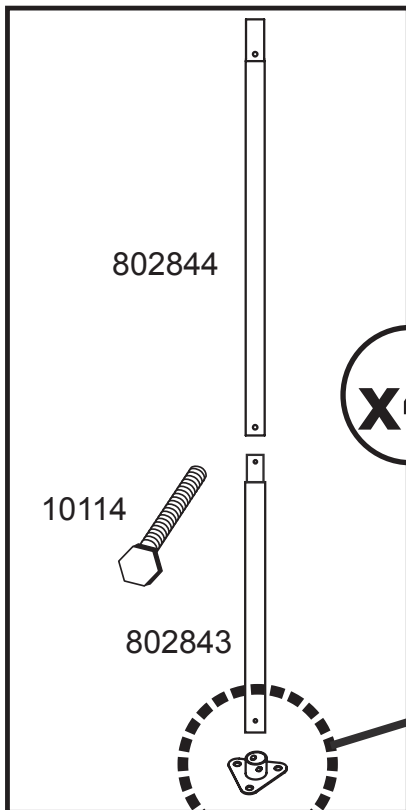
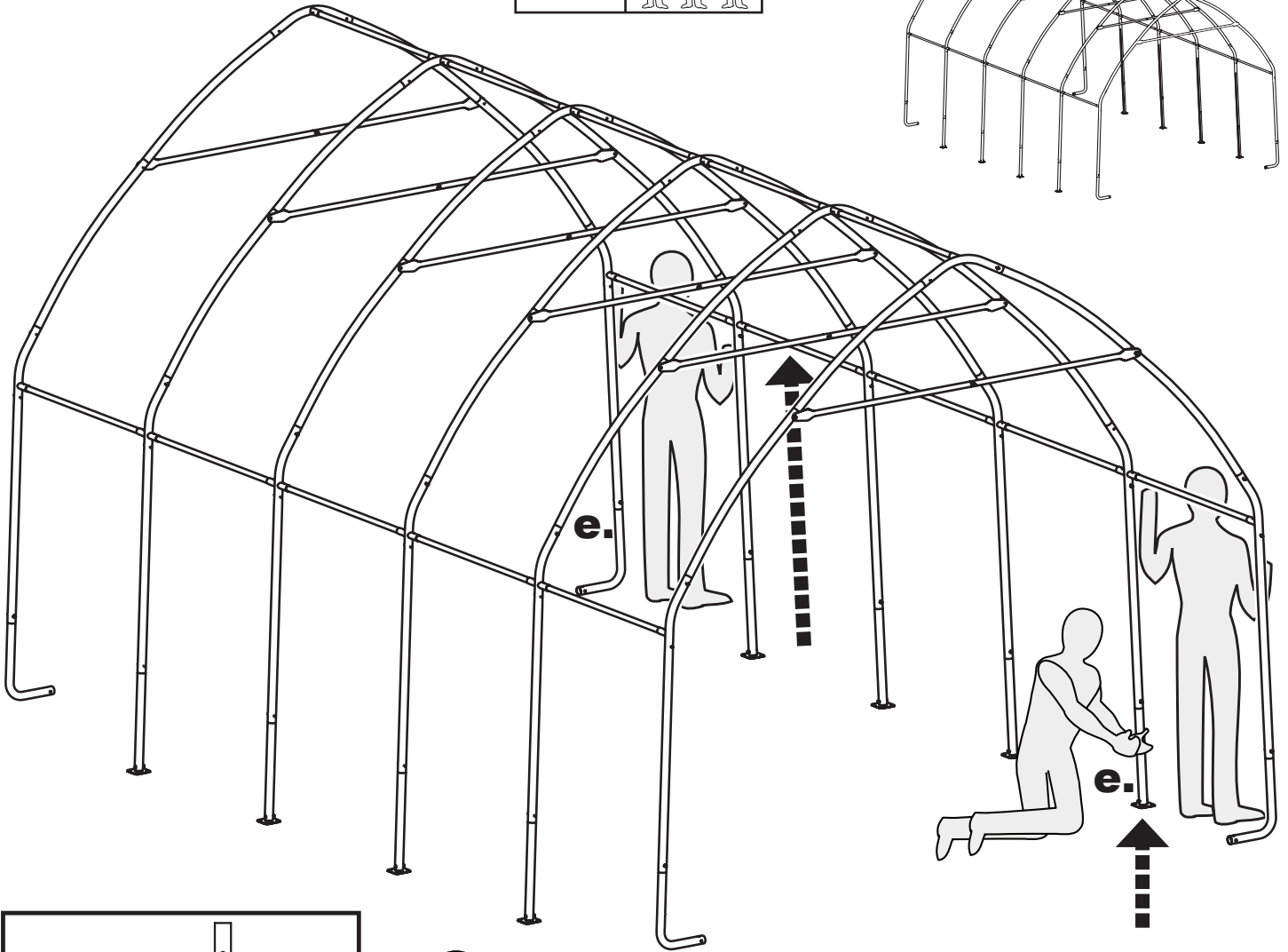
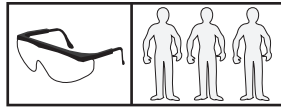
5.



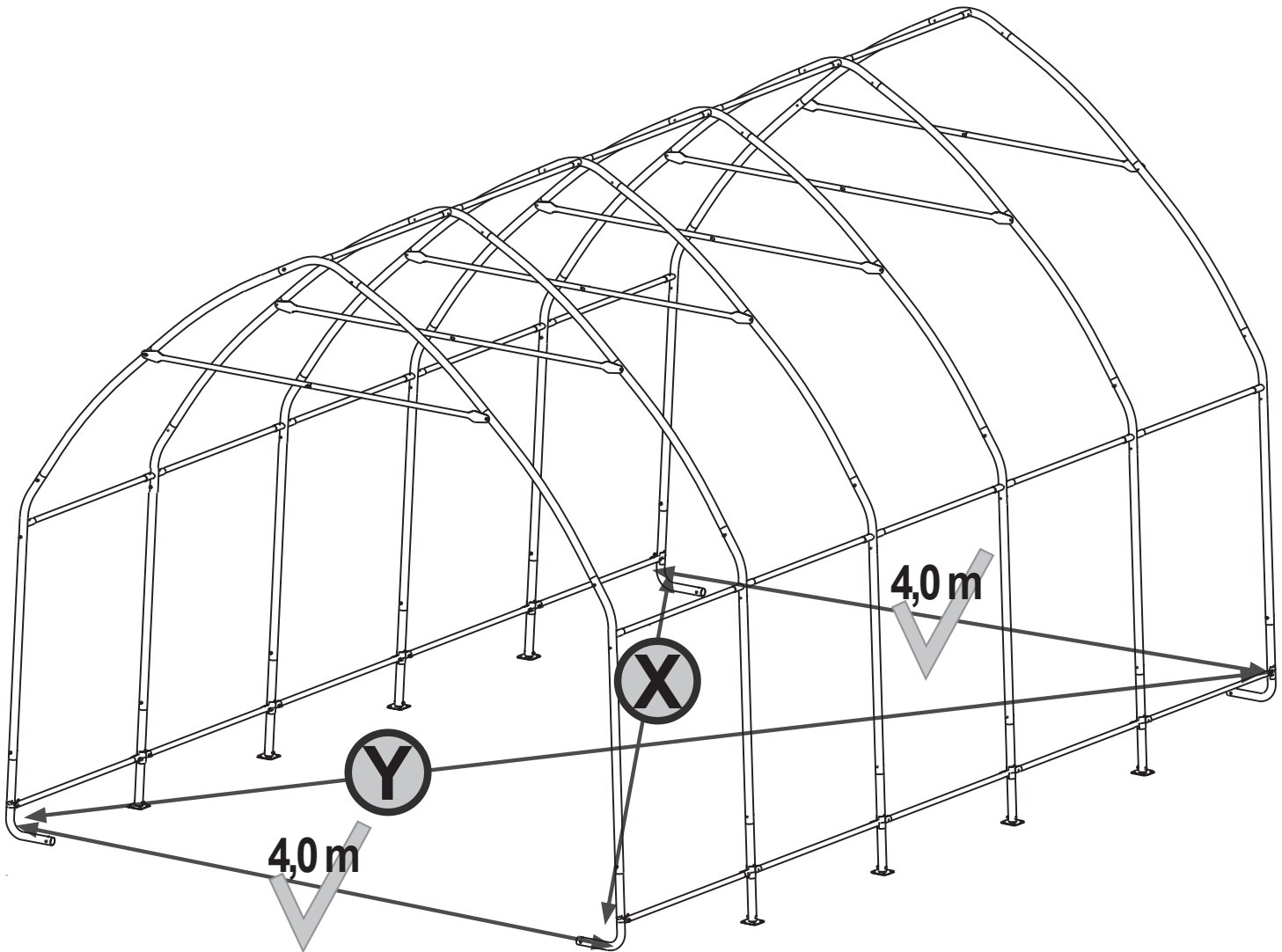
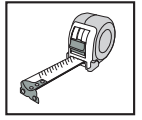
5.



5.

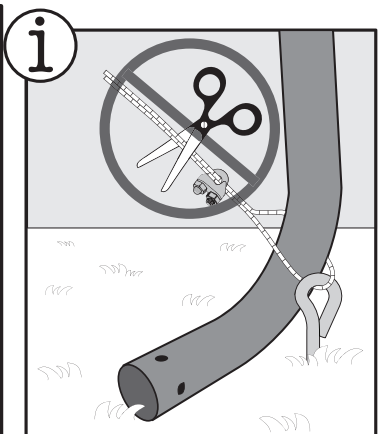
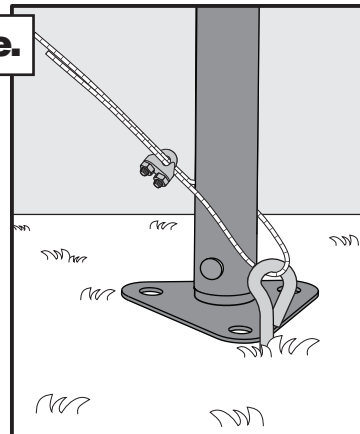
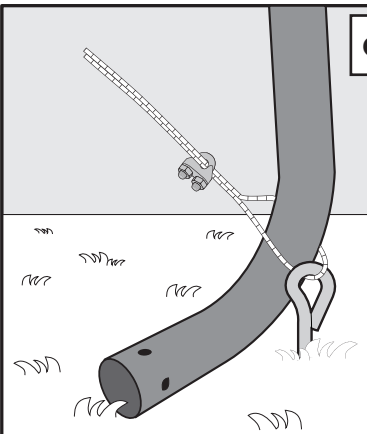
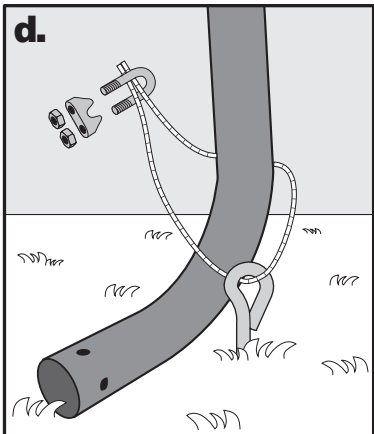
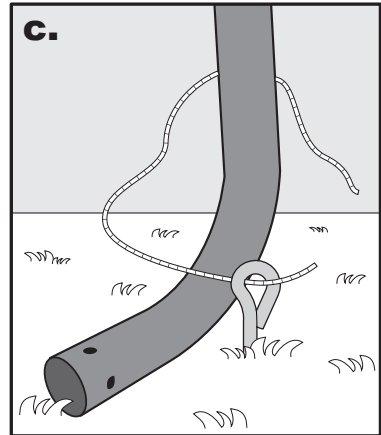
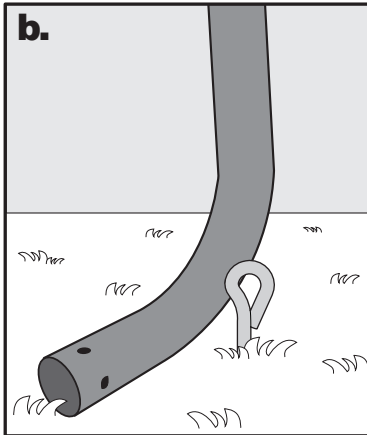
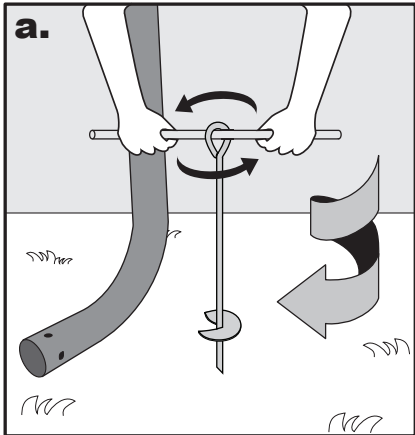
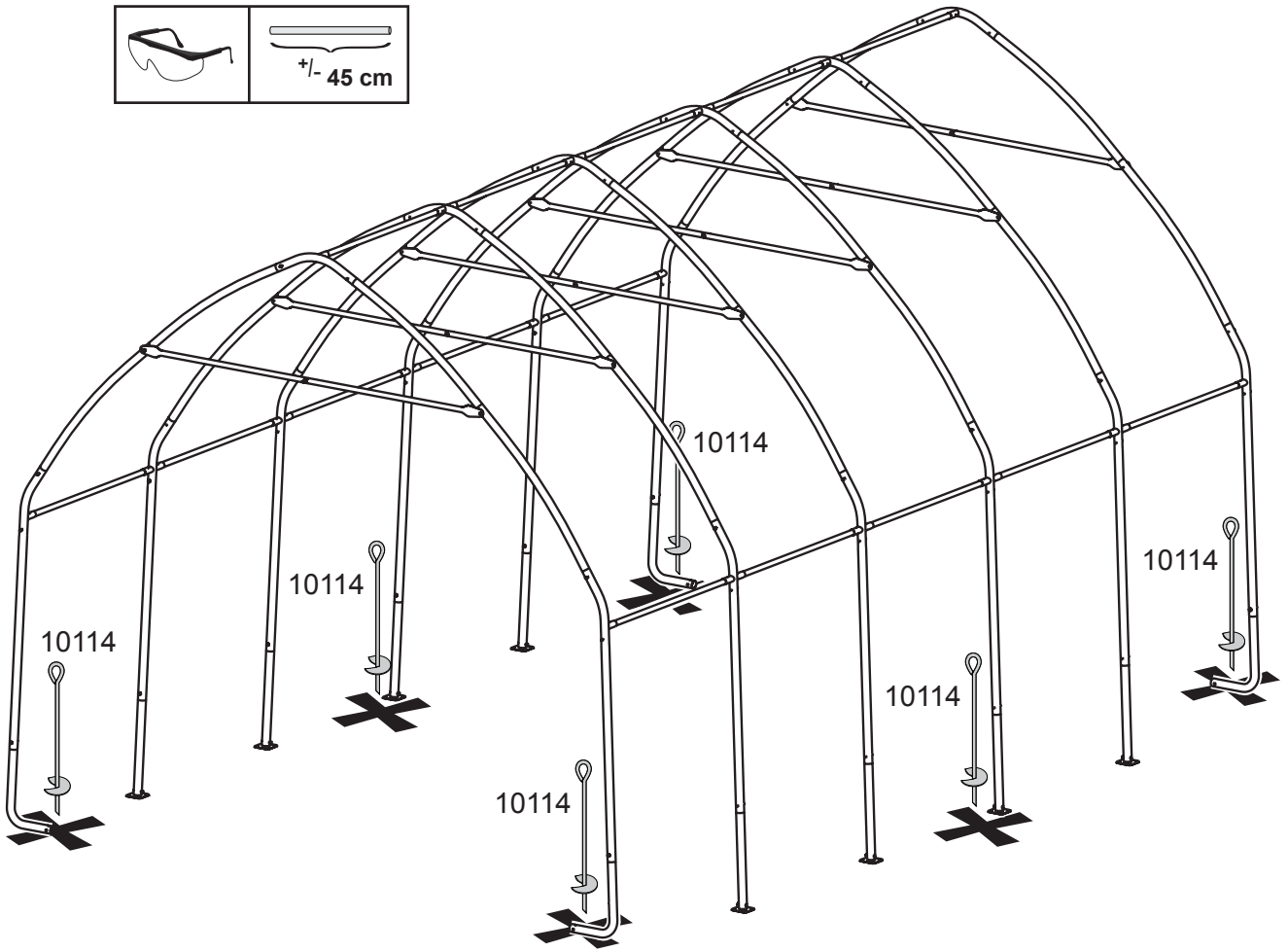
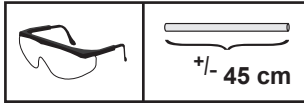


6.

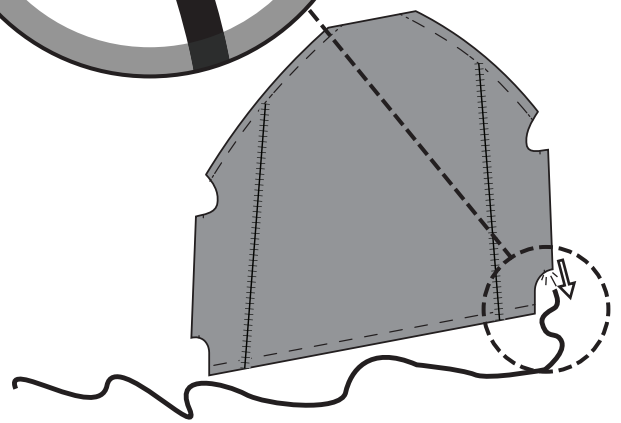
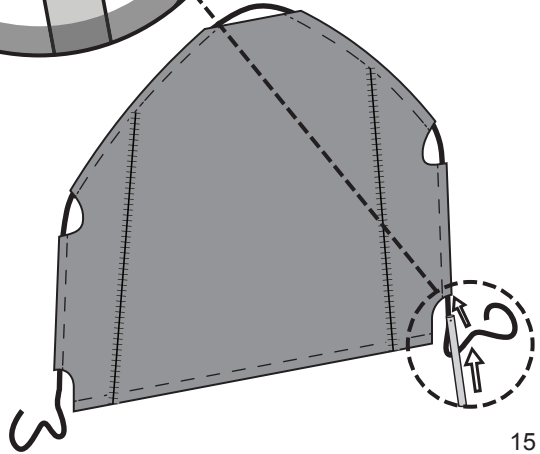
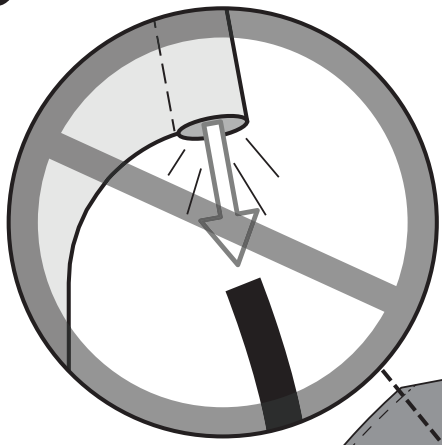
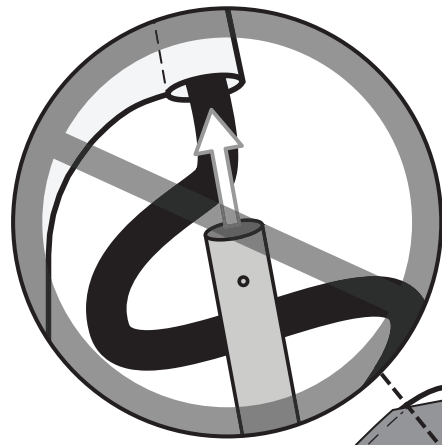
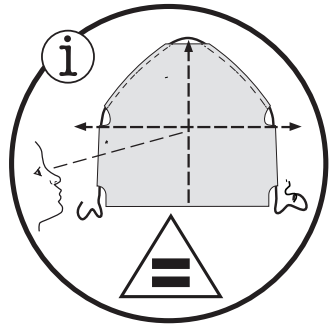
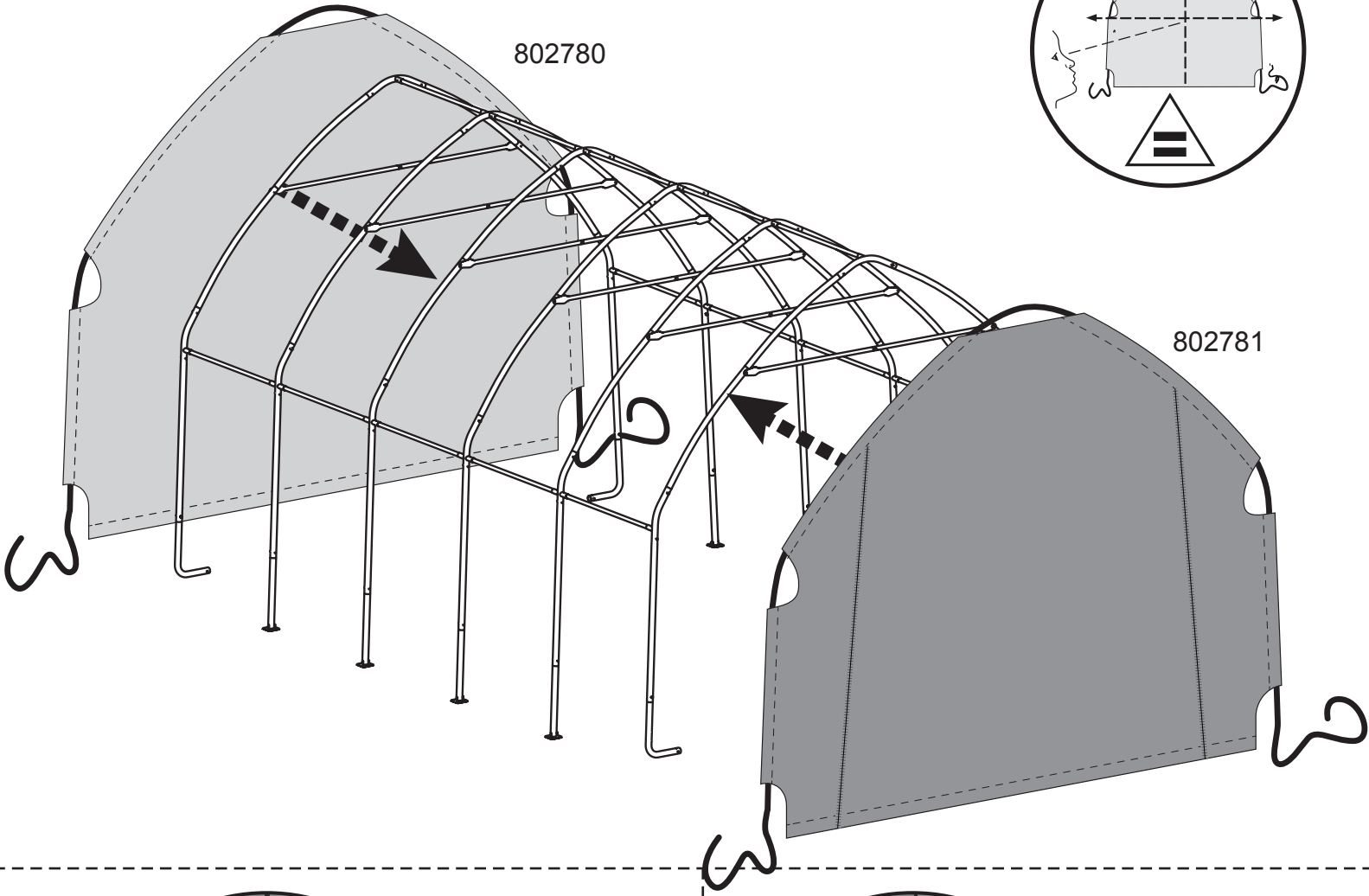


✓ $\textcircled{X} = \textcircled{Y}$
2,5 cm

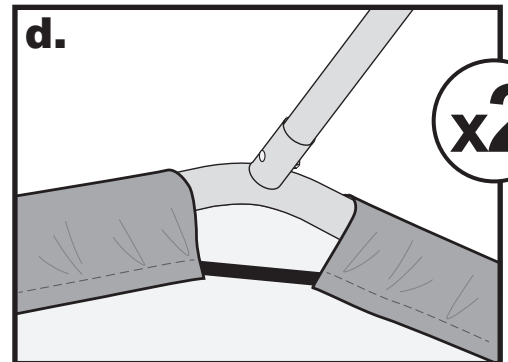
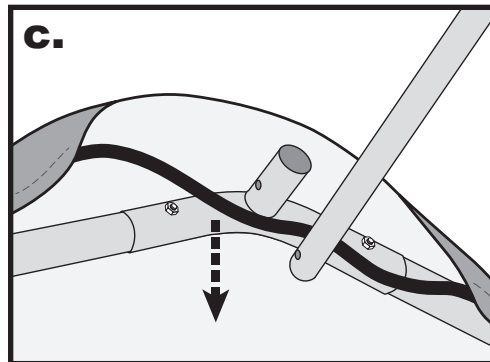
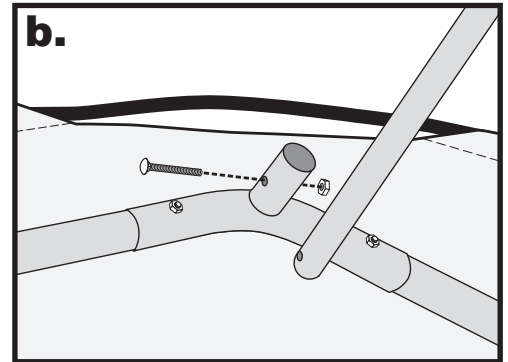
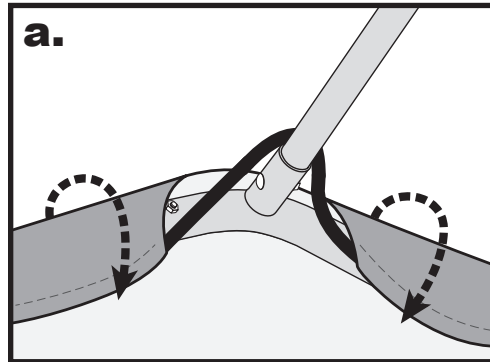
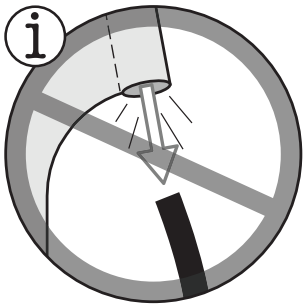
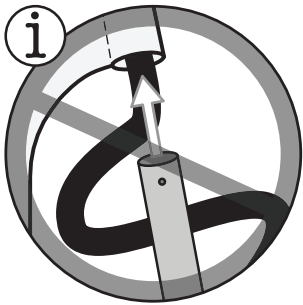
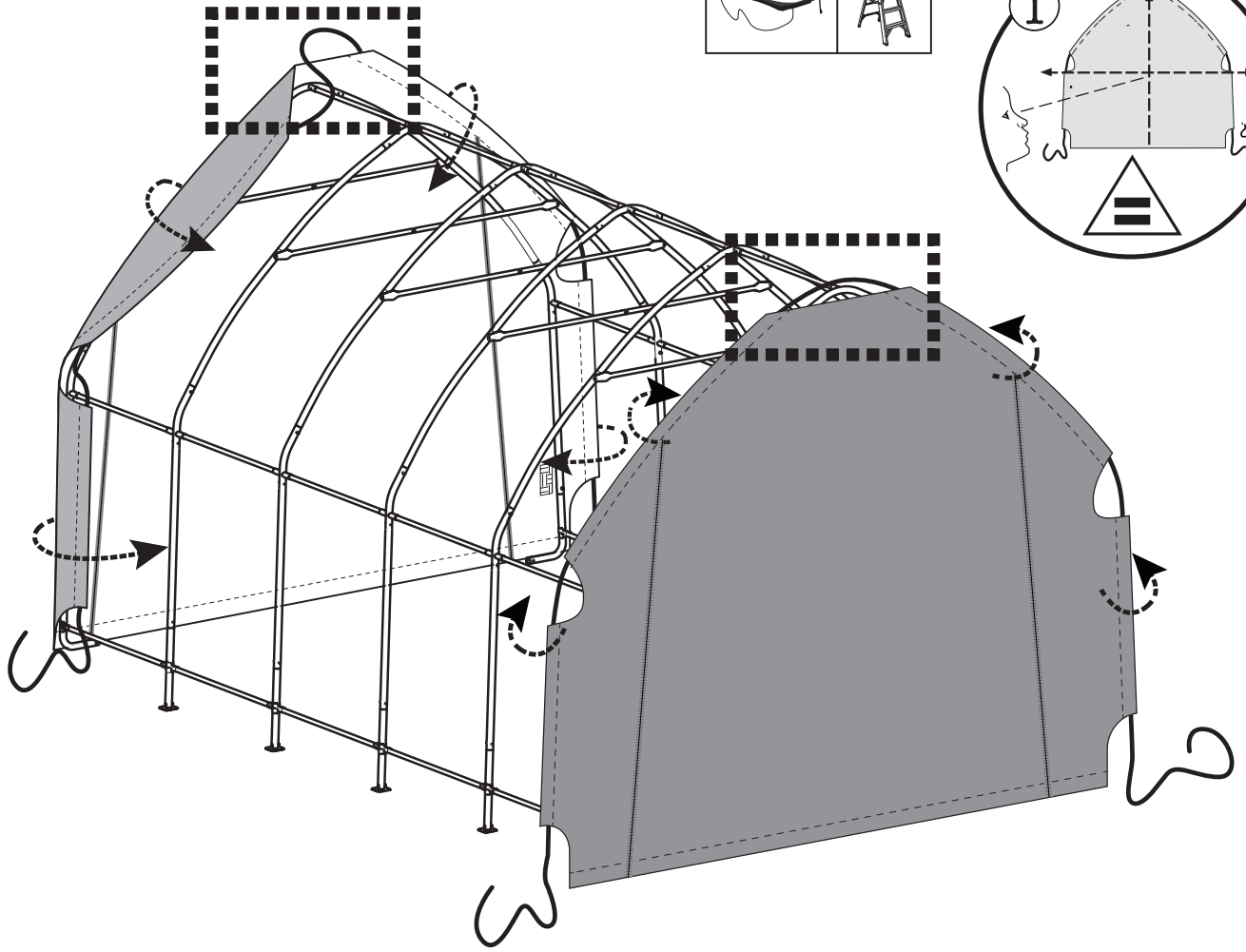
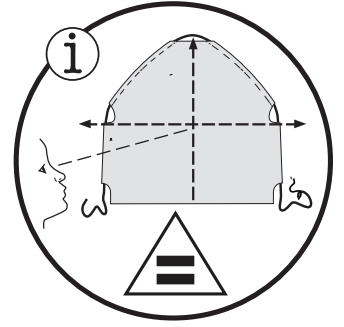
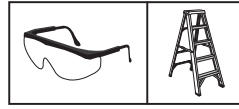
7.



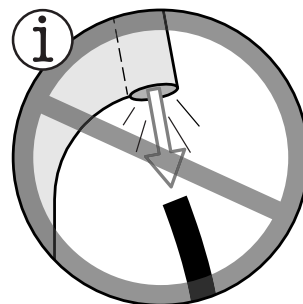
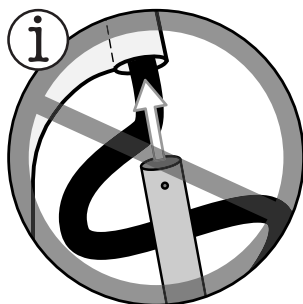
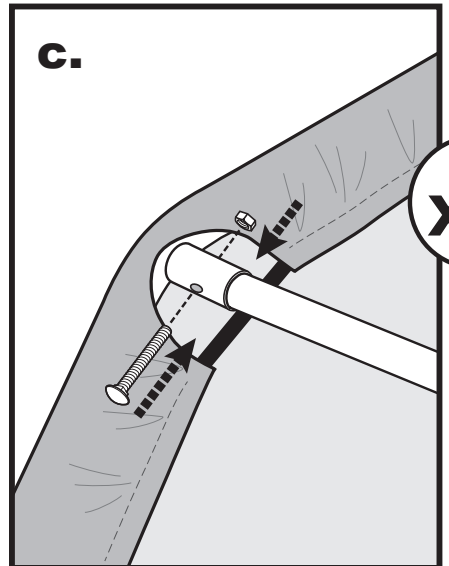
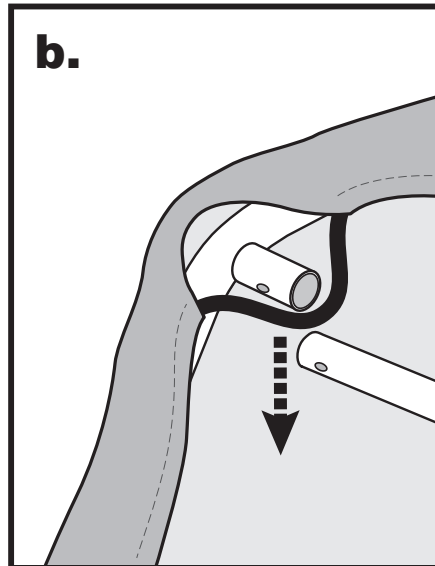
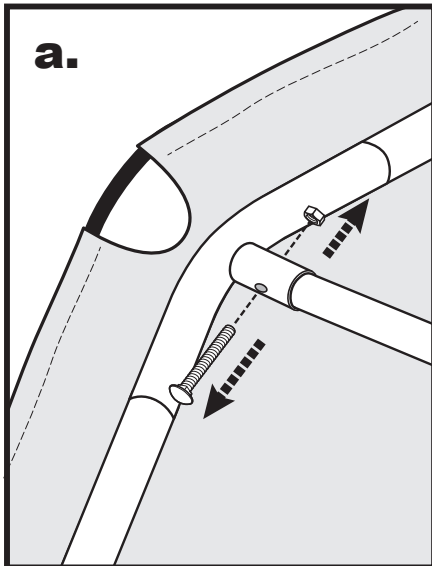
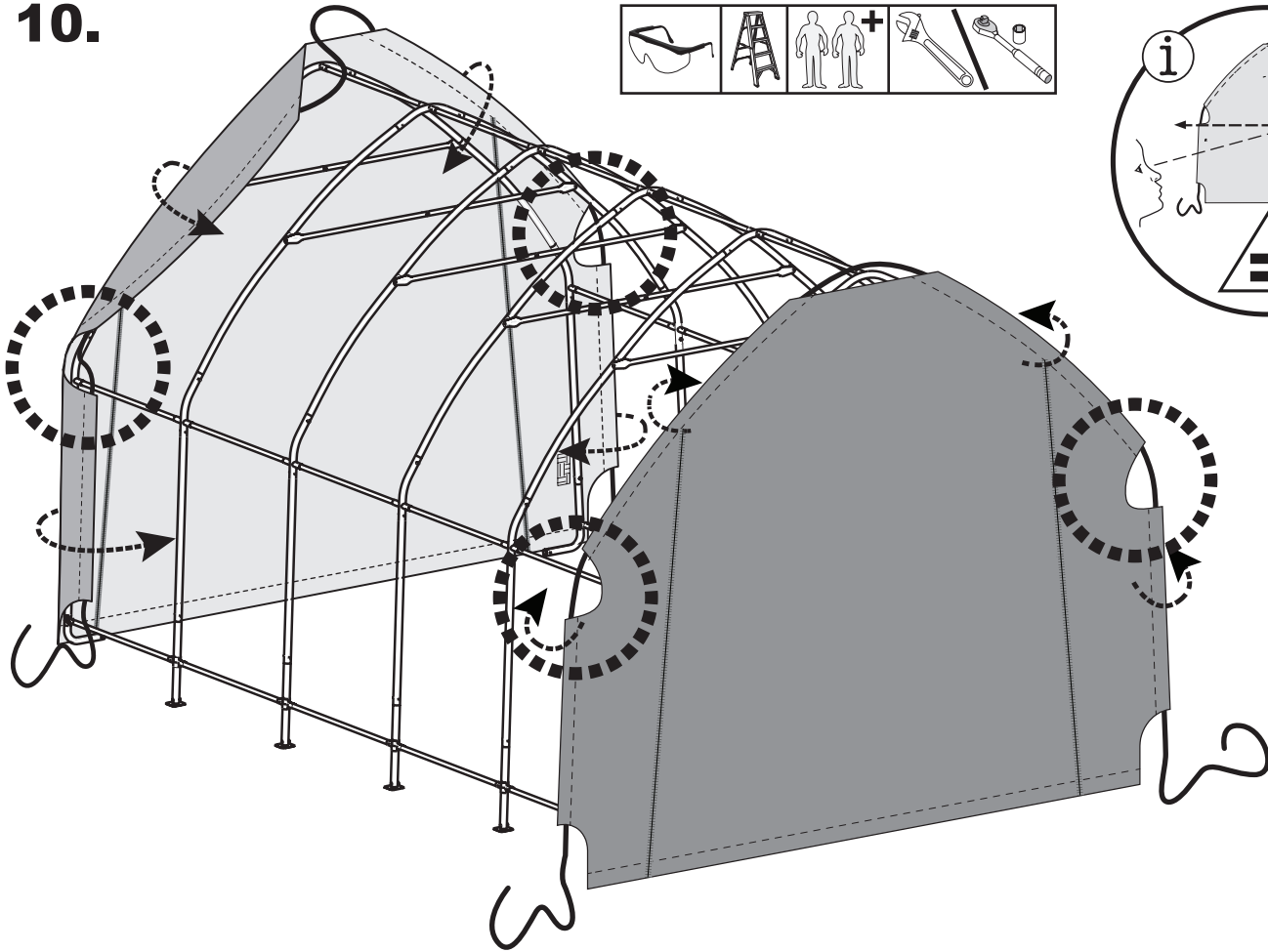
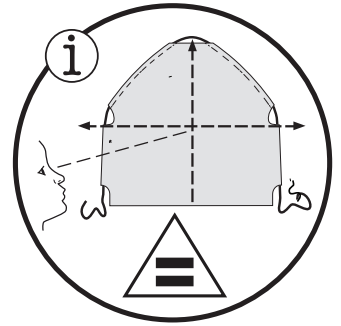
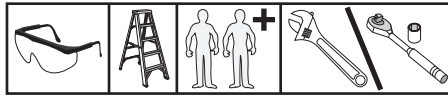
8.



9.

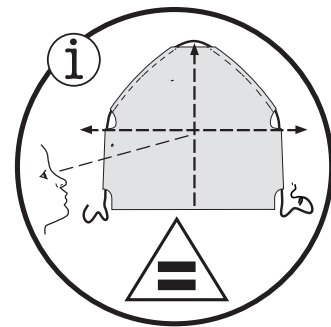
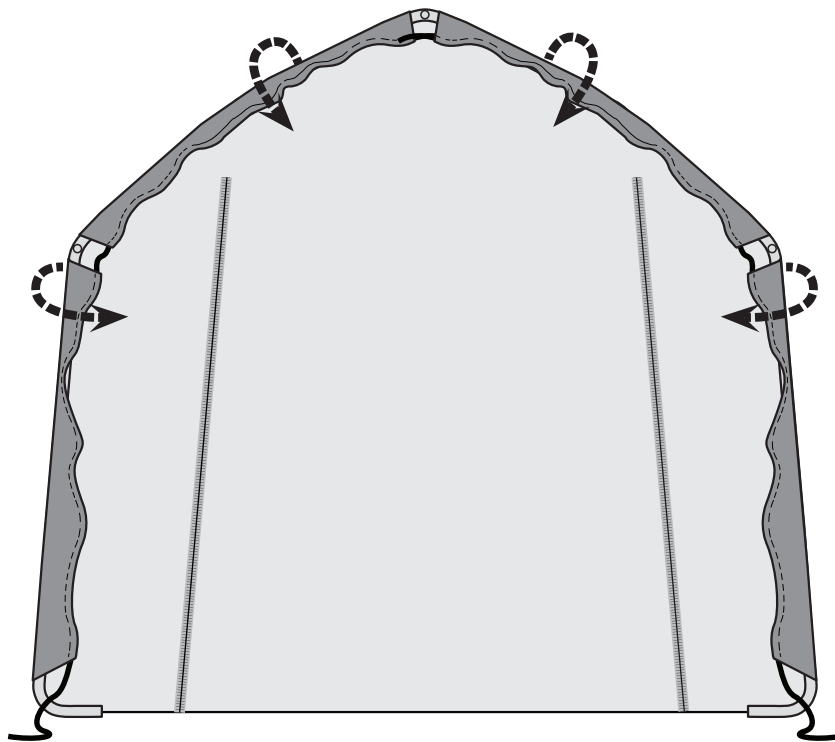


10.



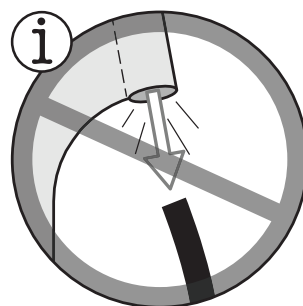
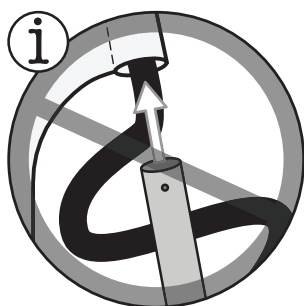
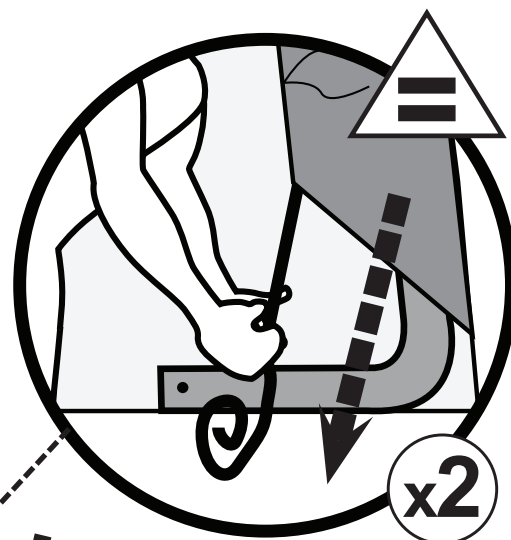
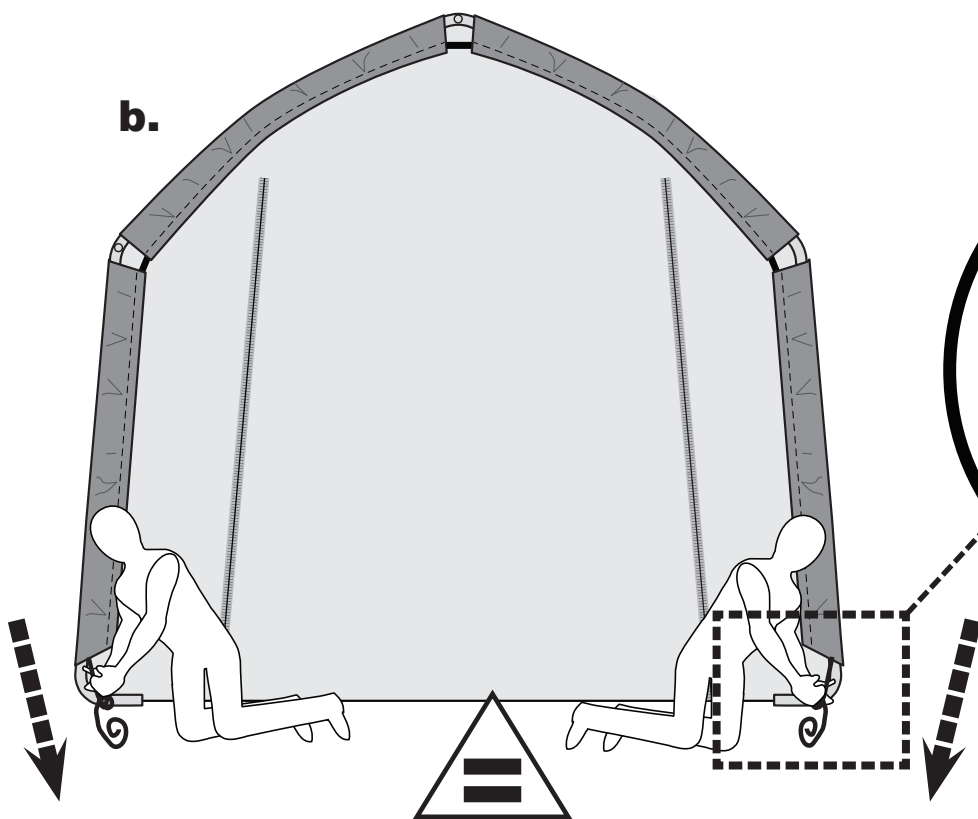
11.

a.

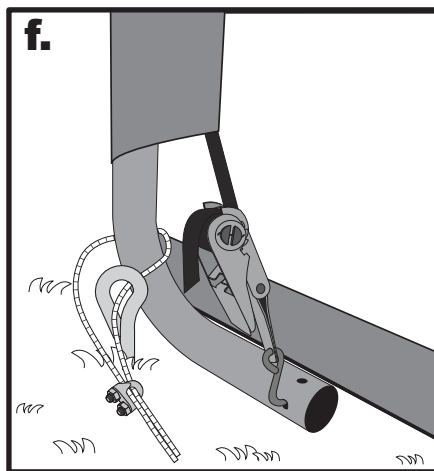
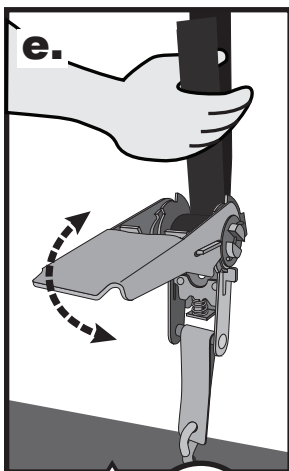
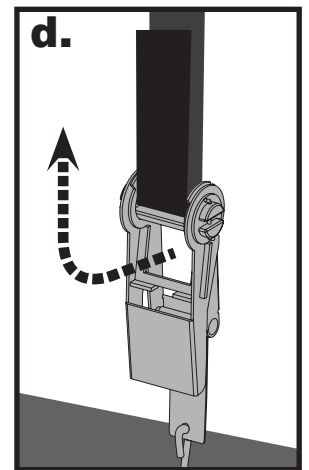
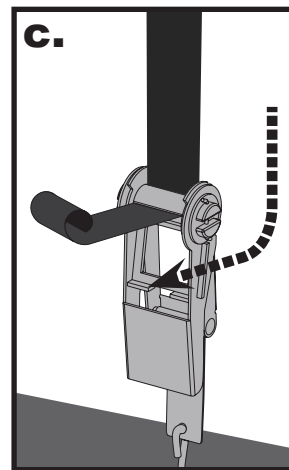
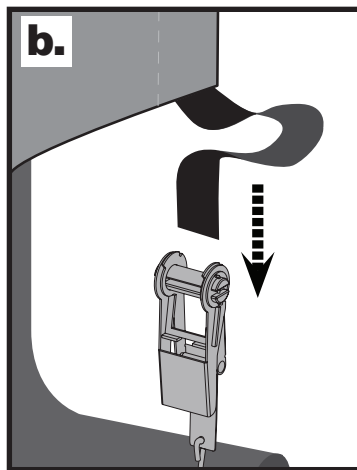
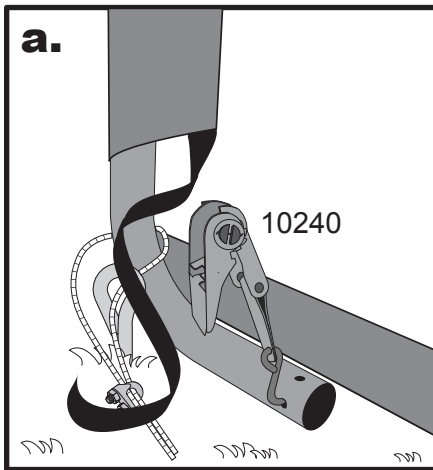
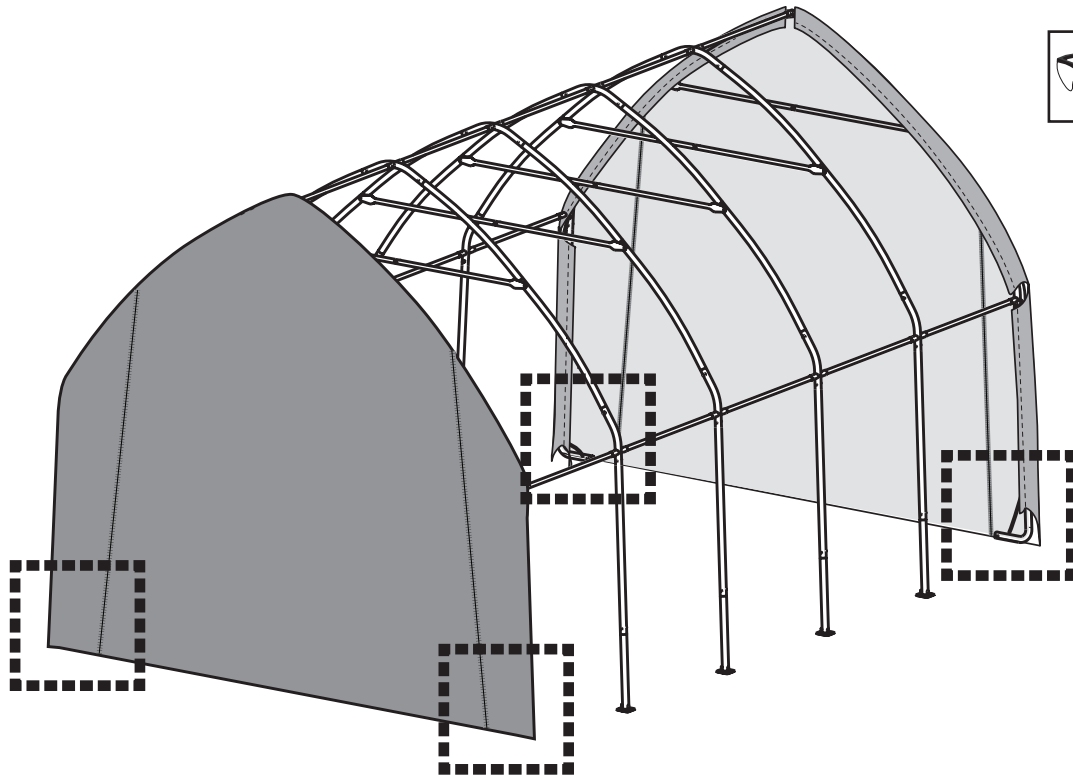
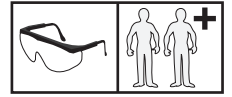


x2

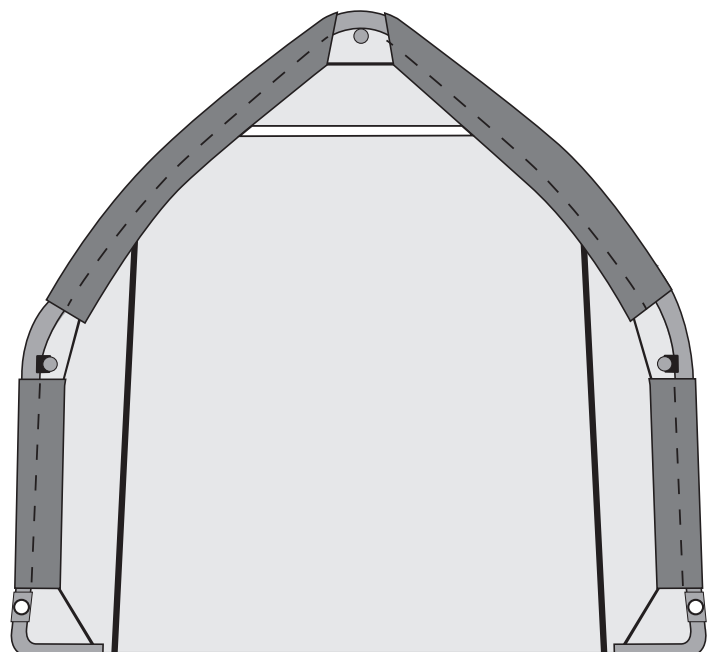
b.



12.

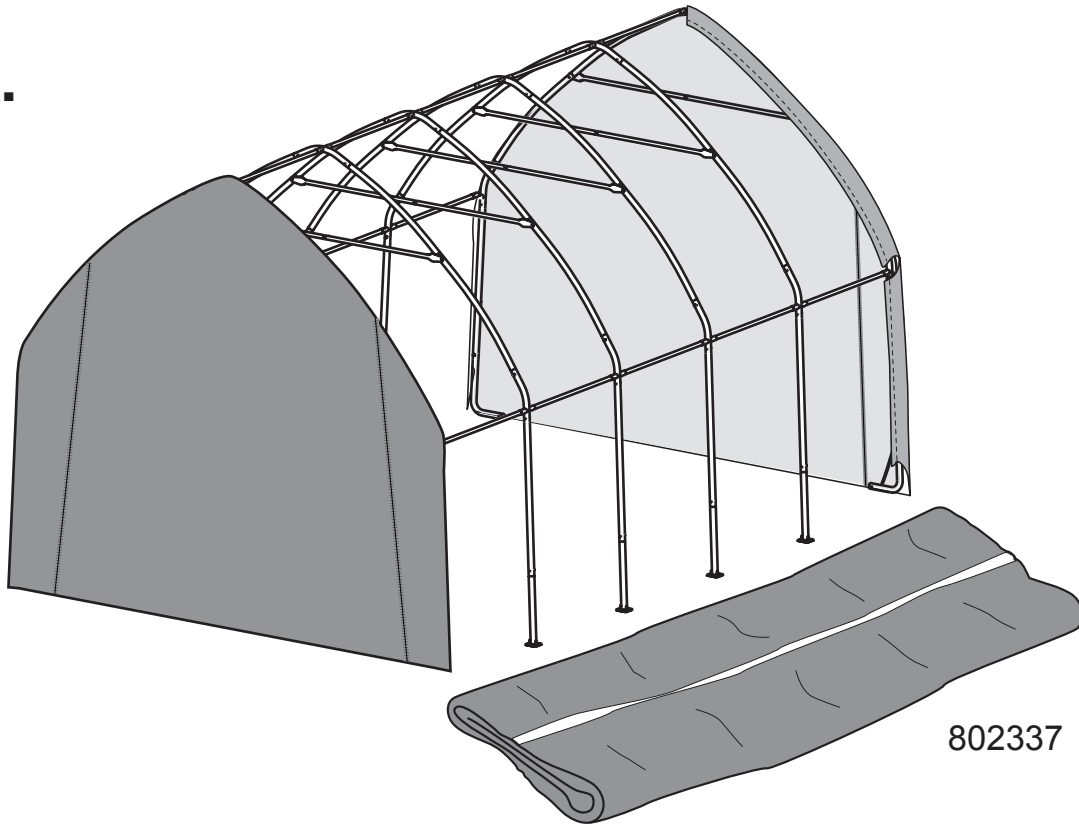


x4

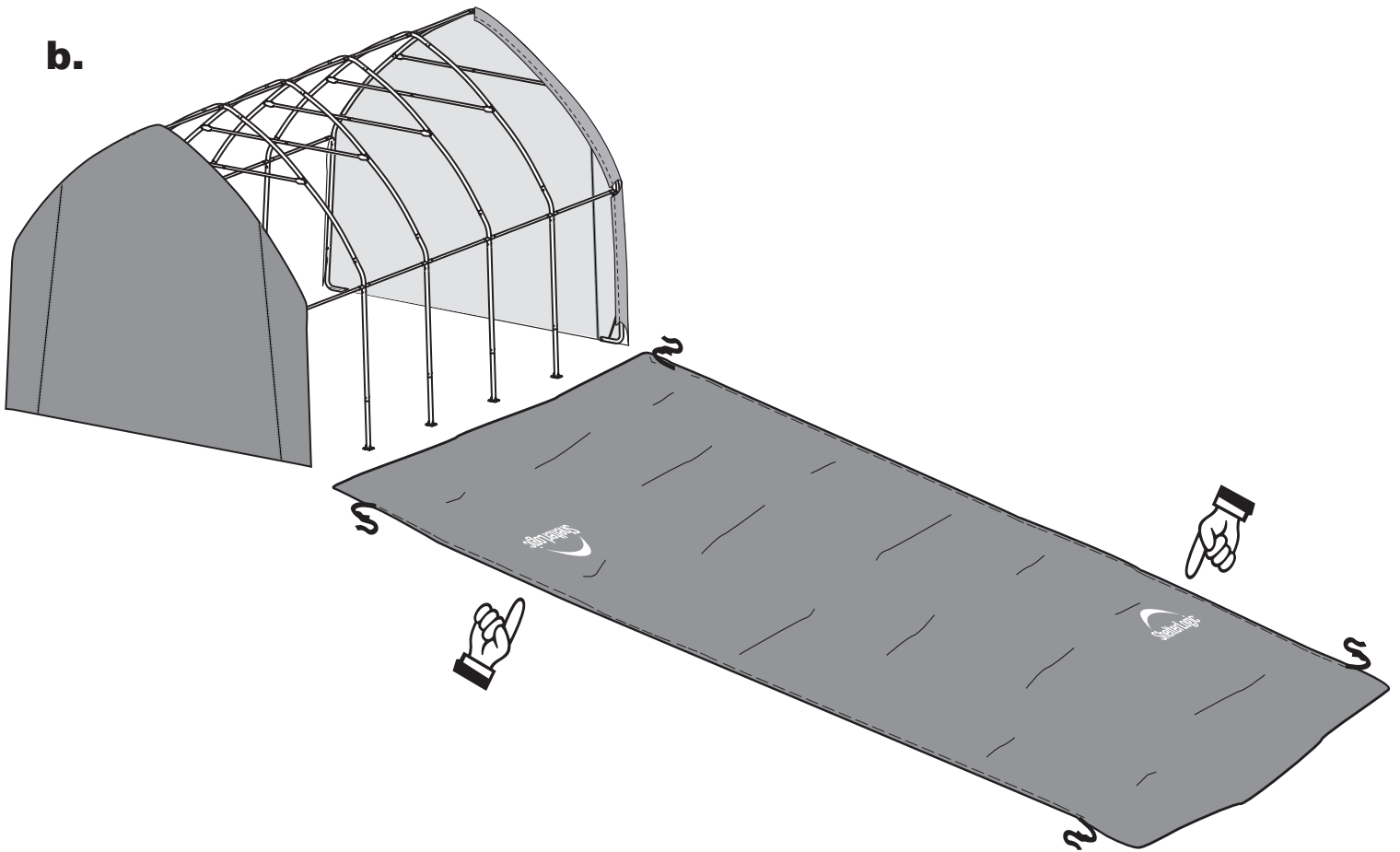


13.

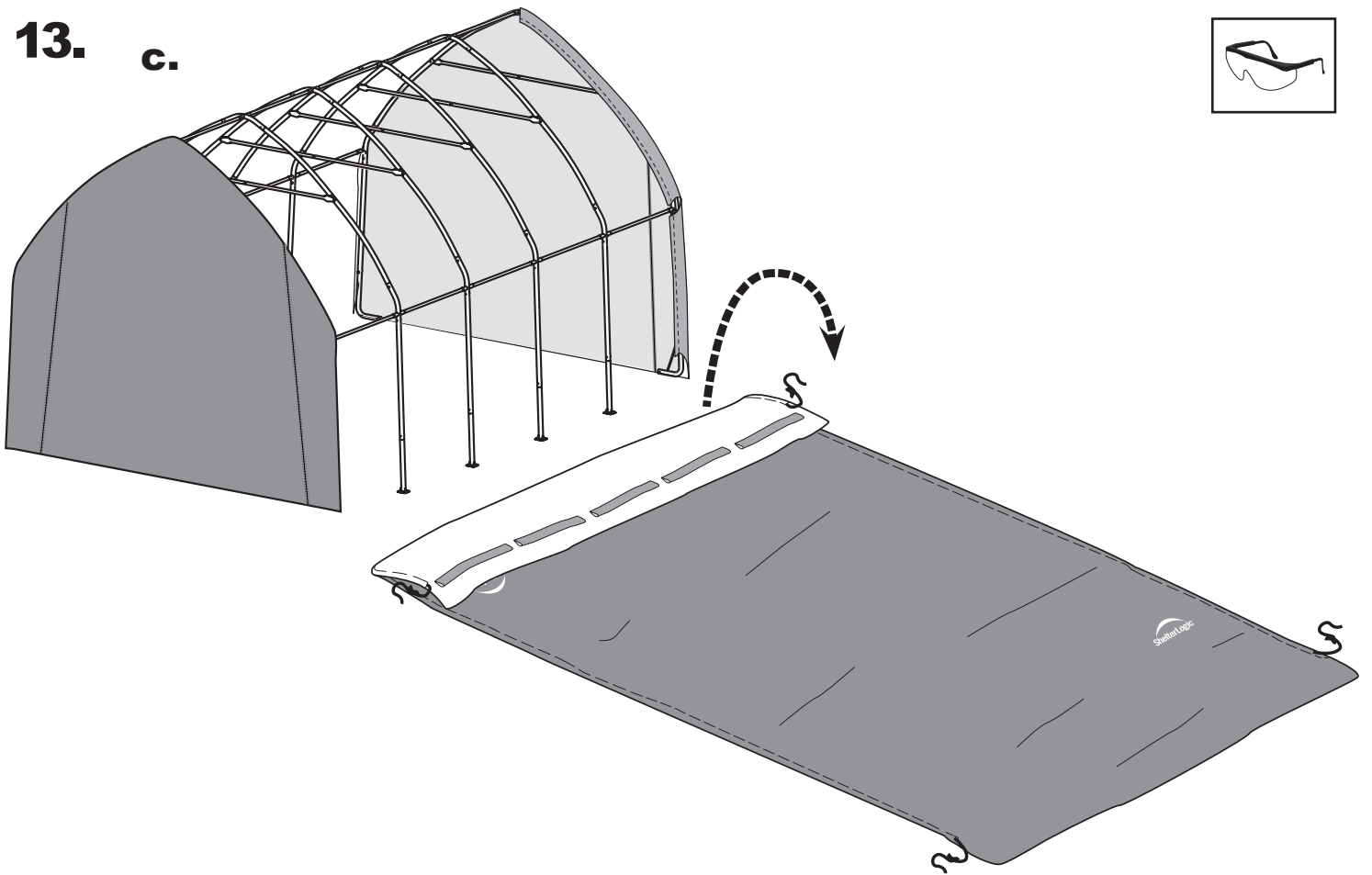
a.



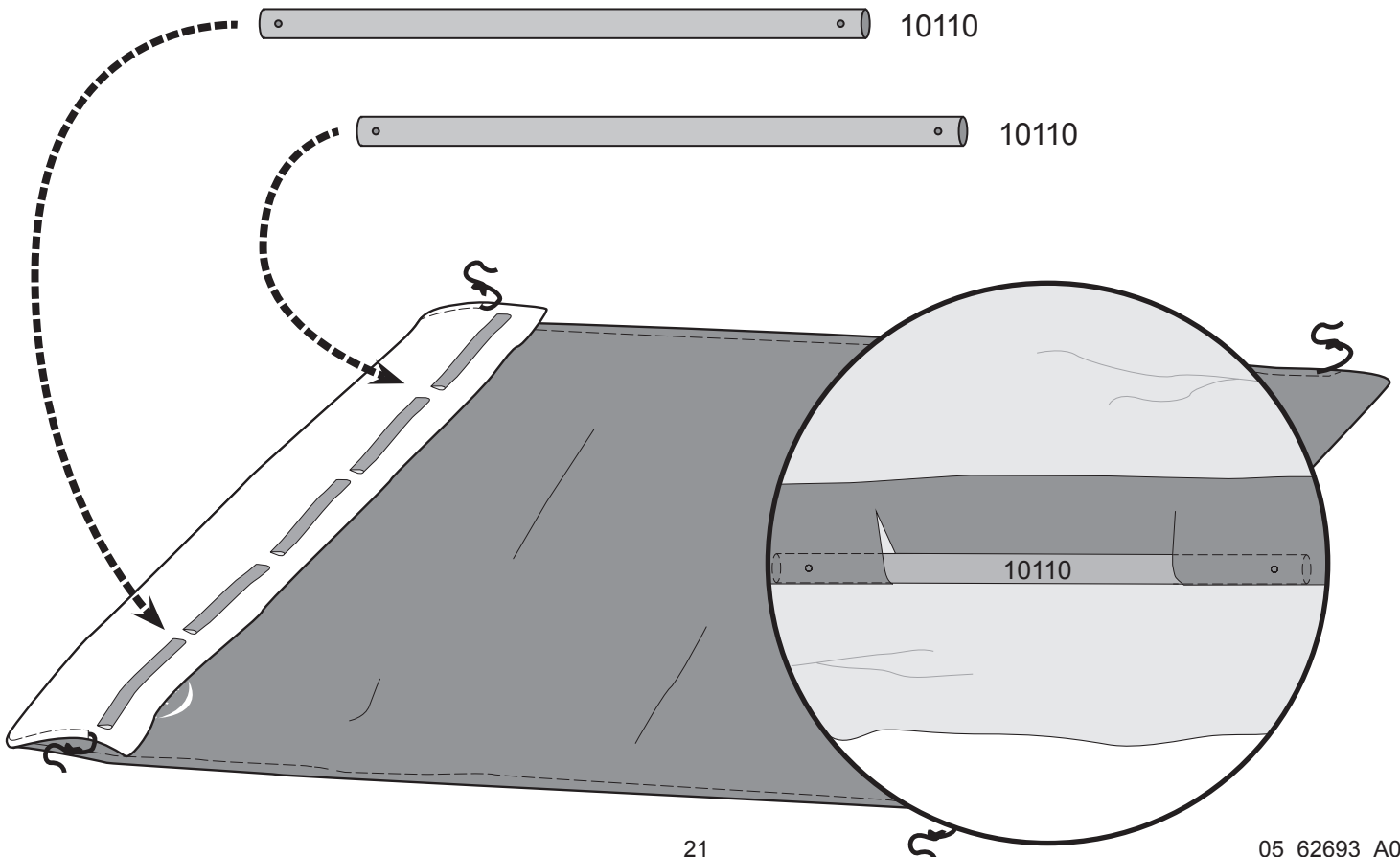
b.



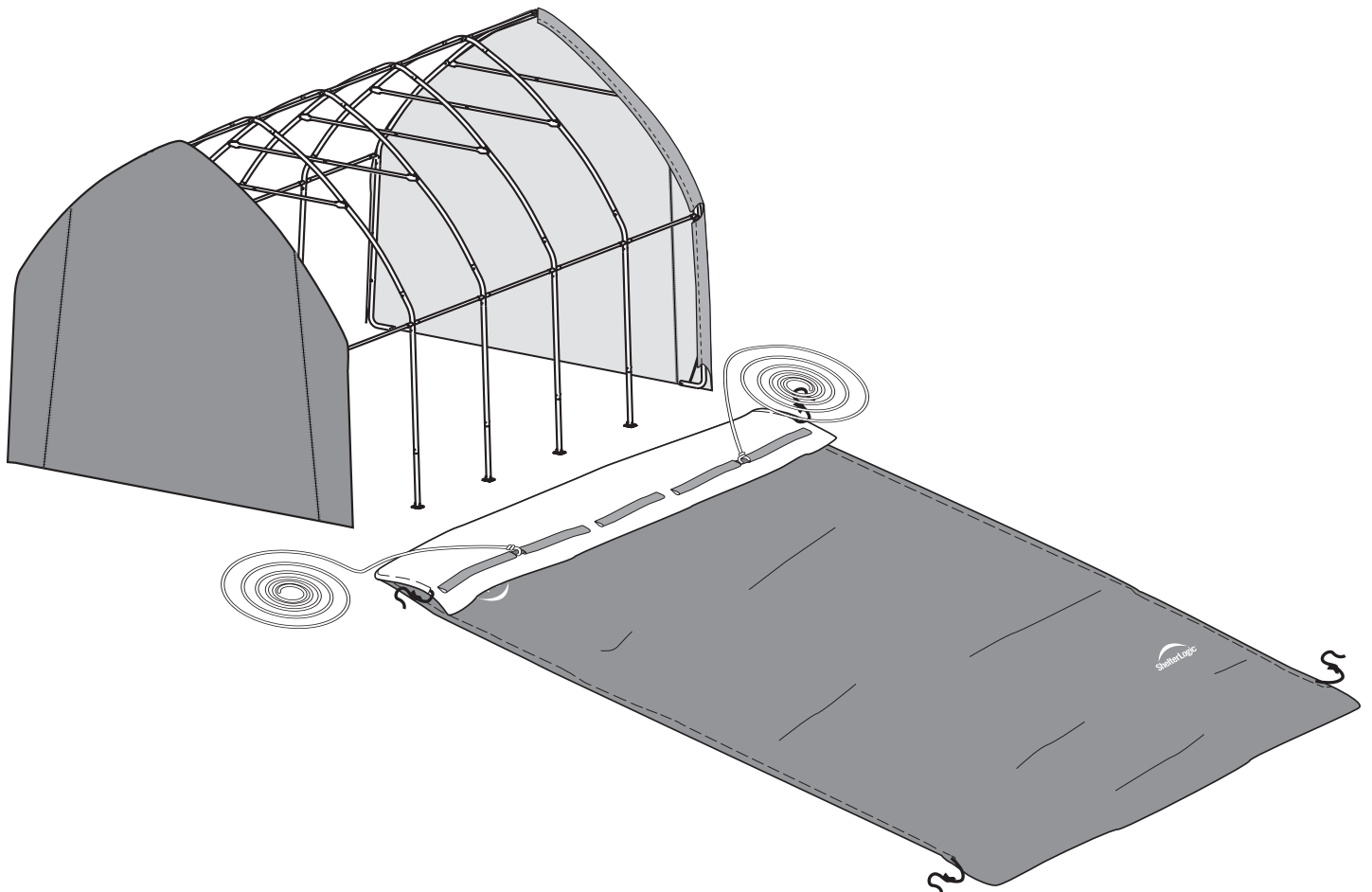
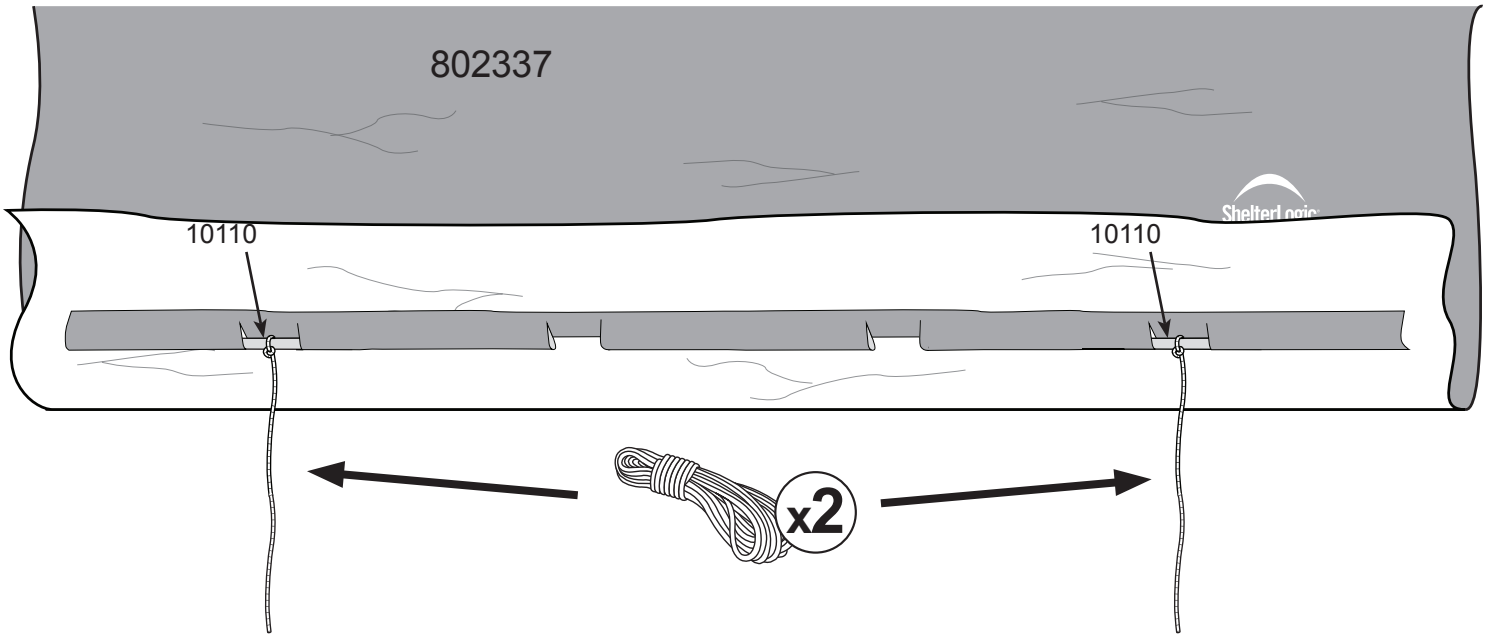
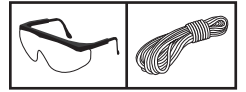
13. c.



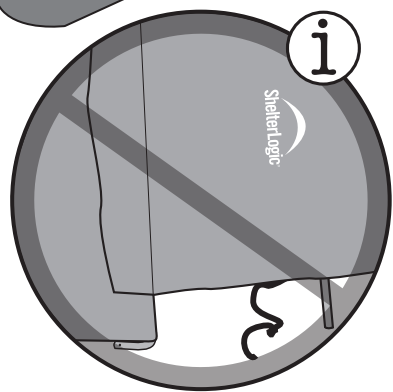
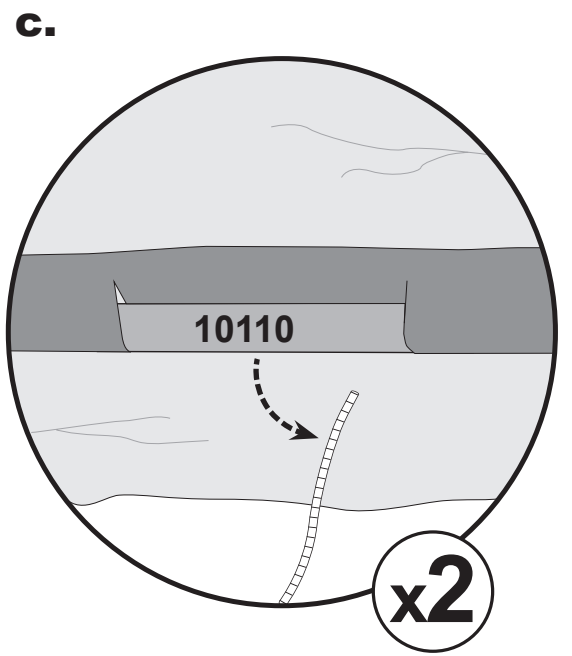
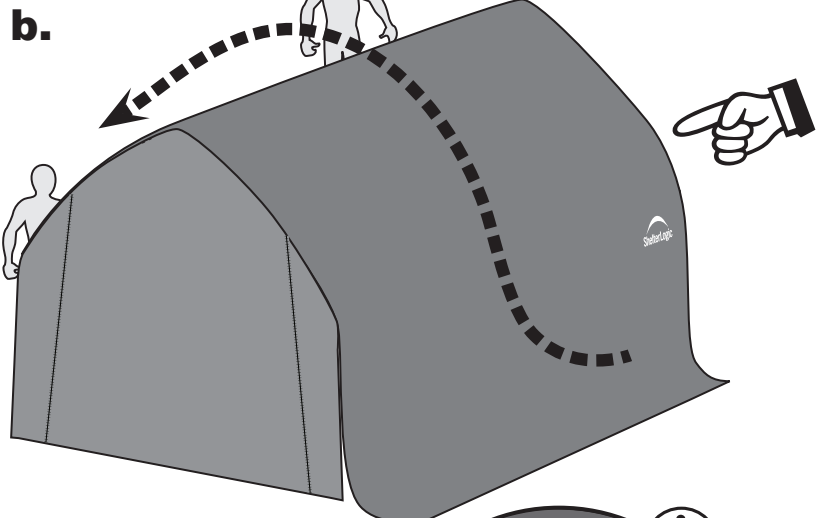
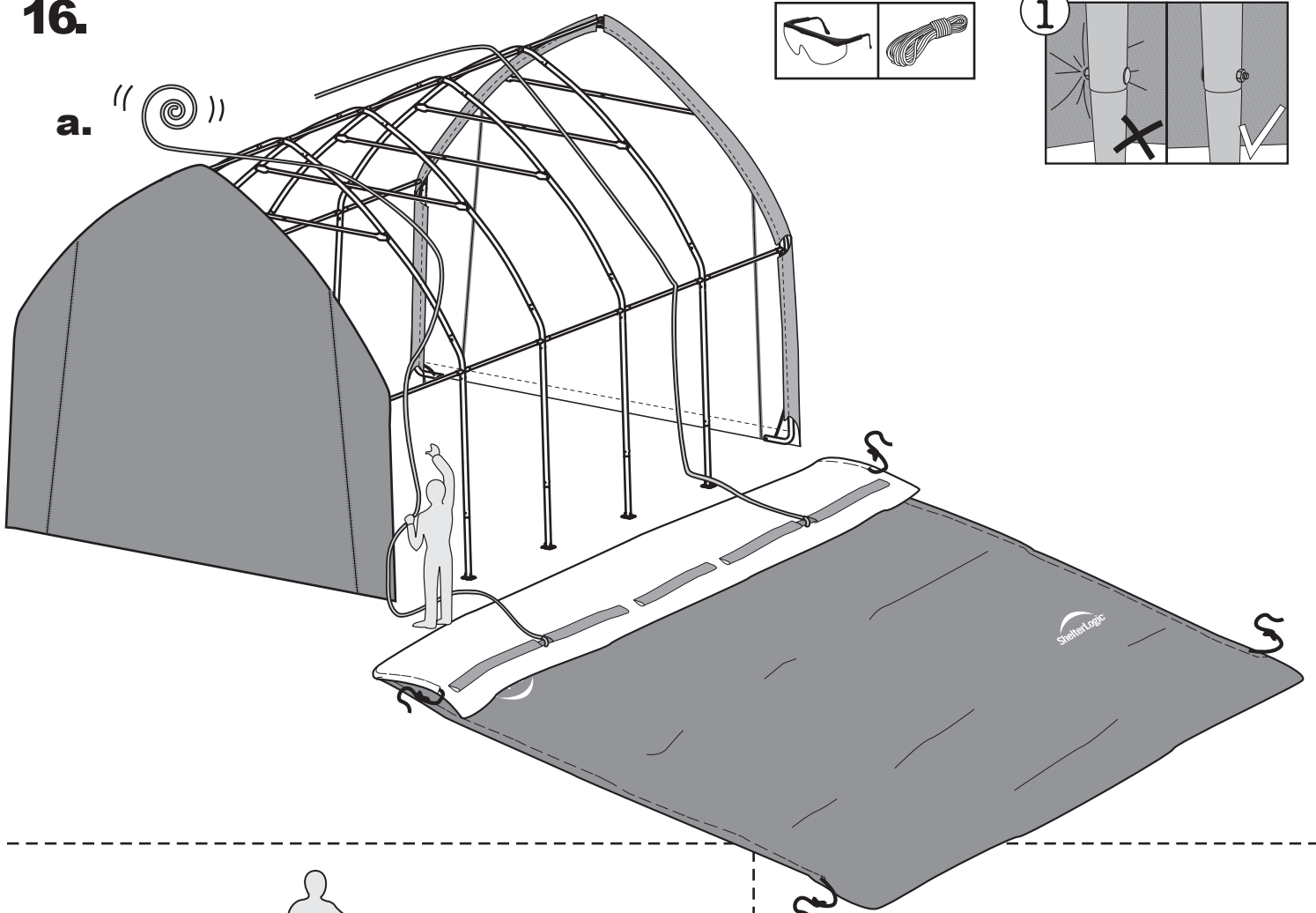
14.



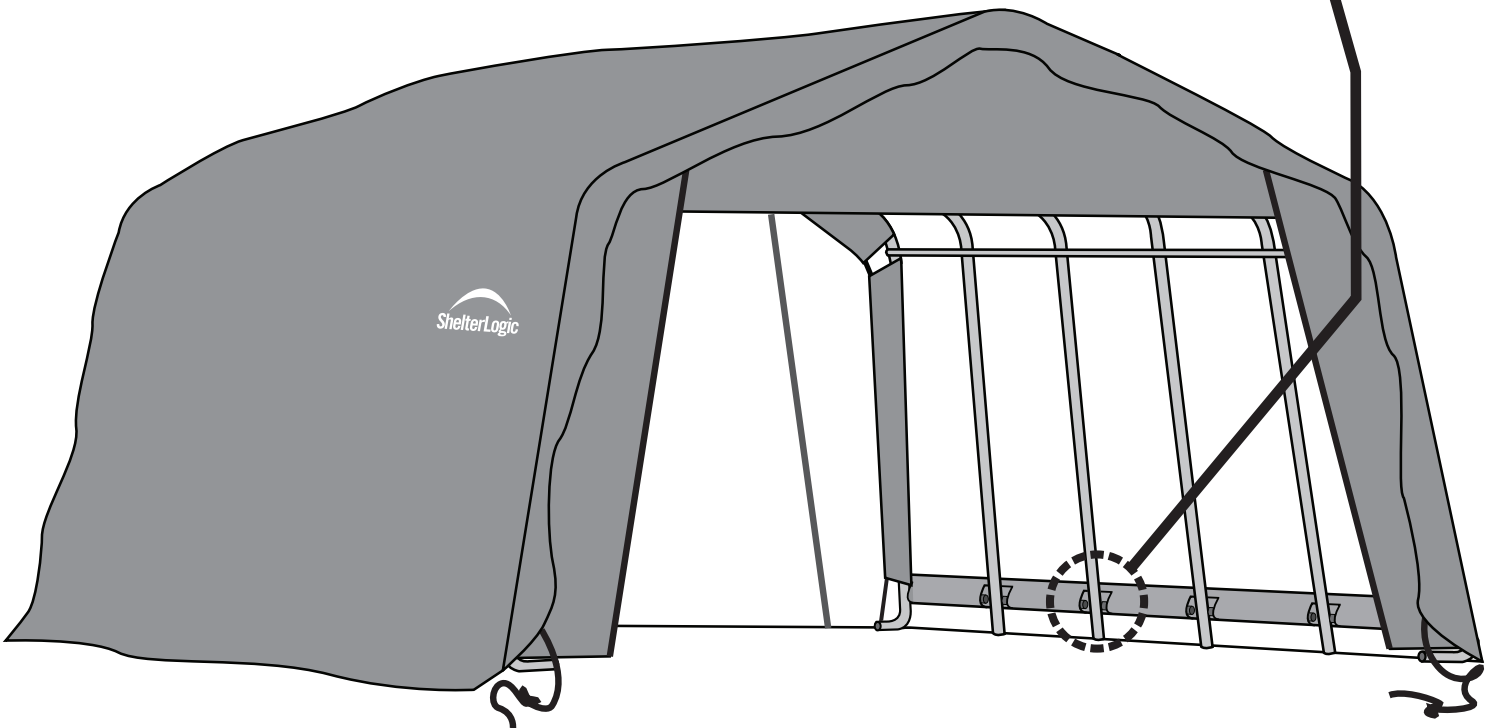
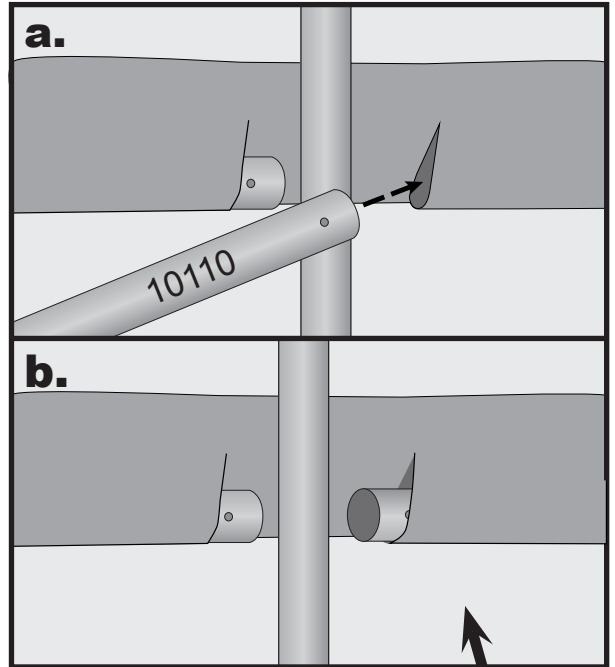
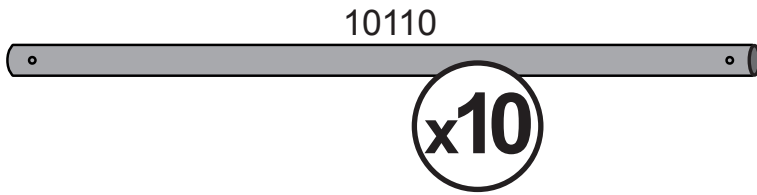
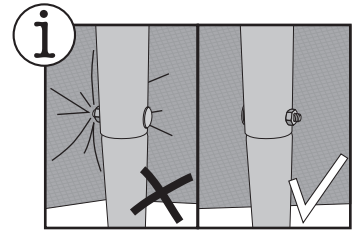
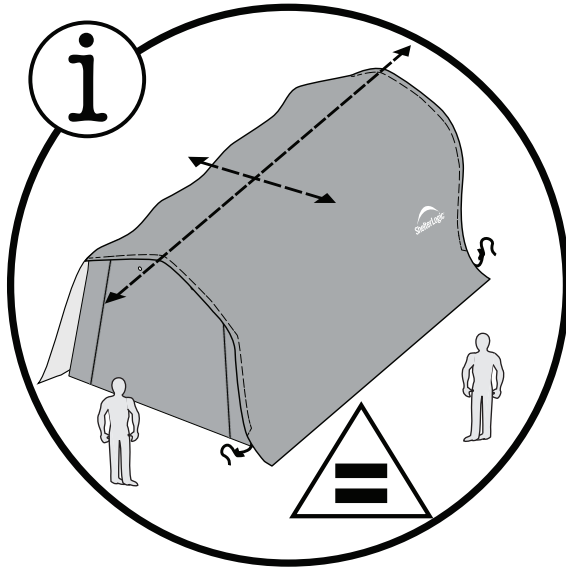
15.



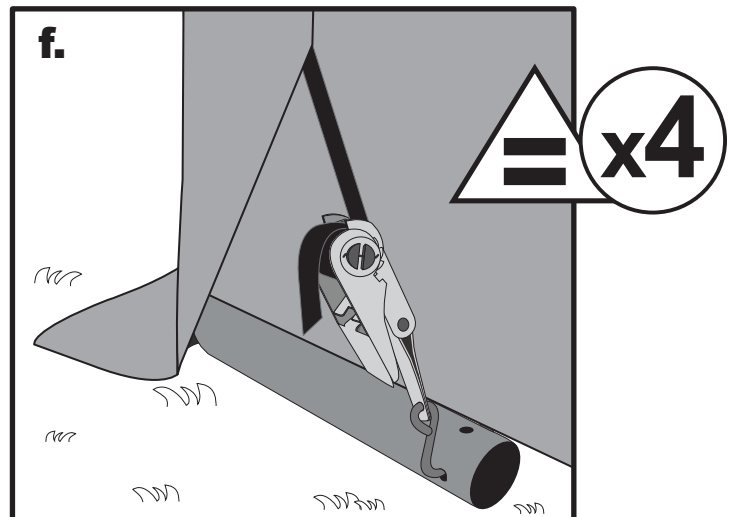
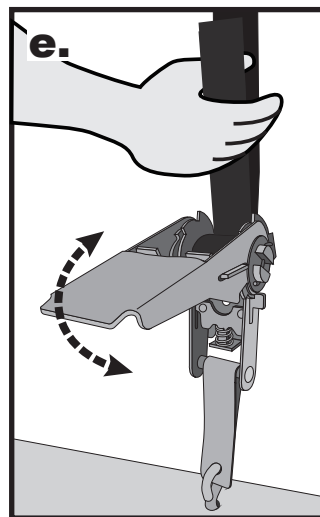
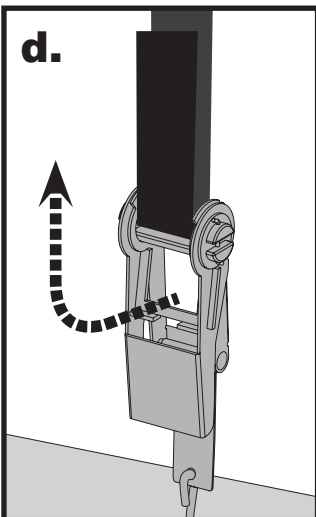
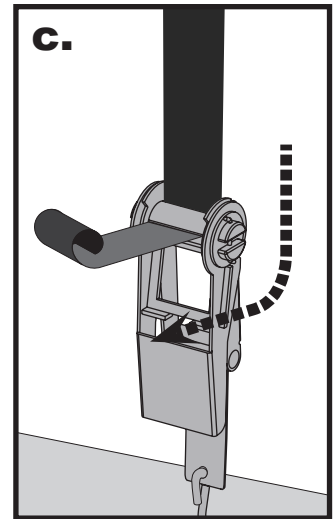
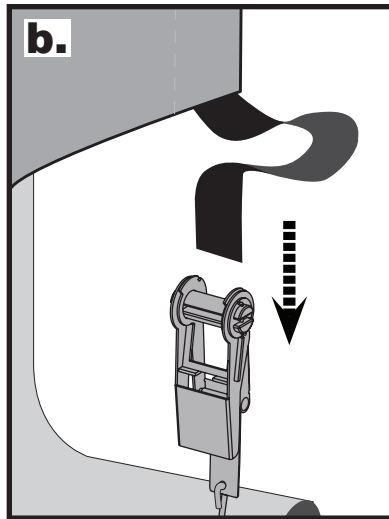
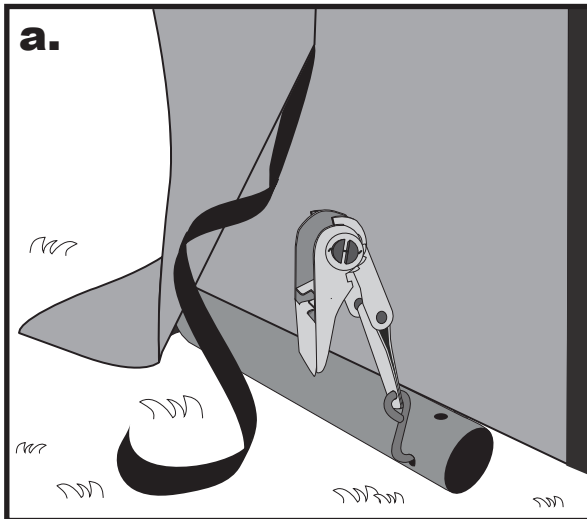
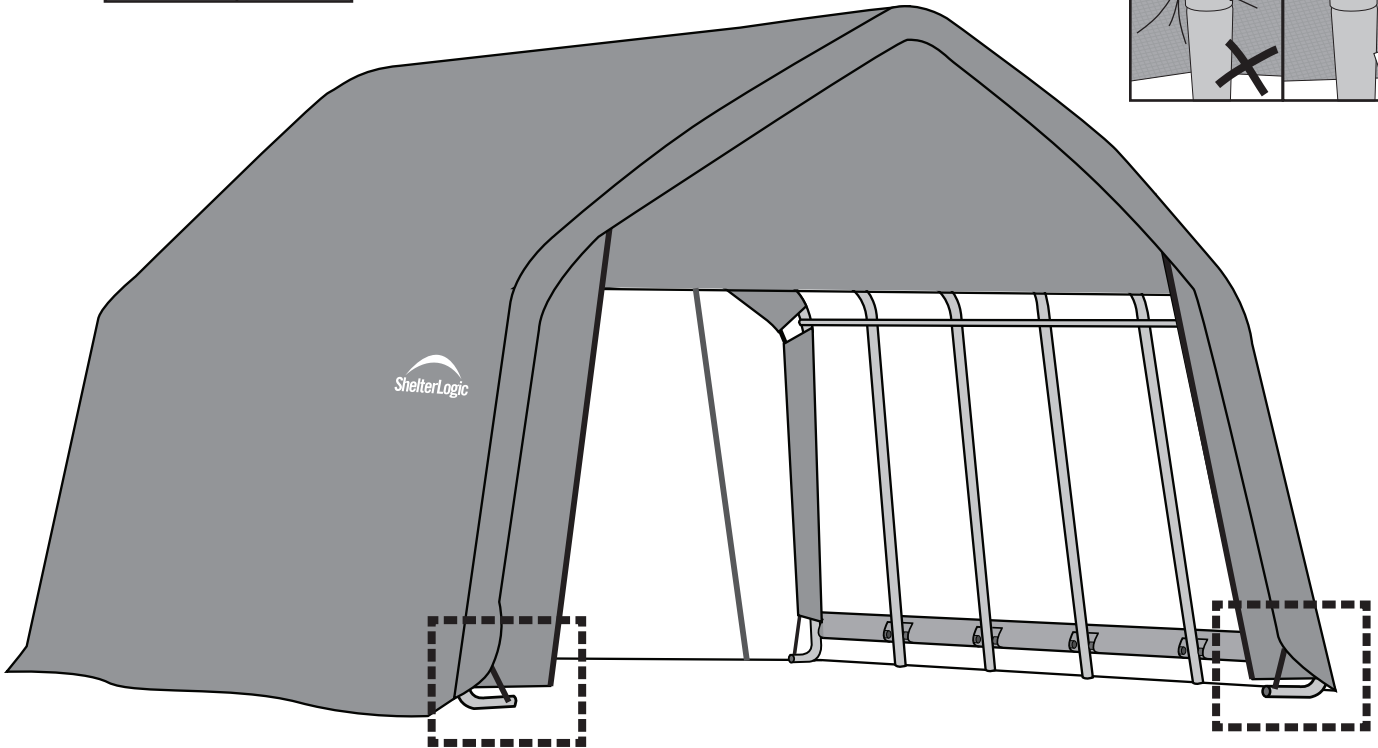
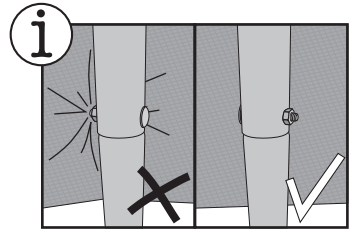
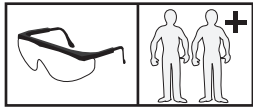
16.



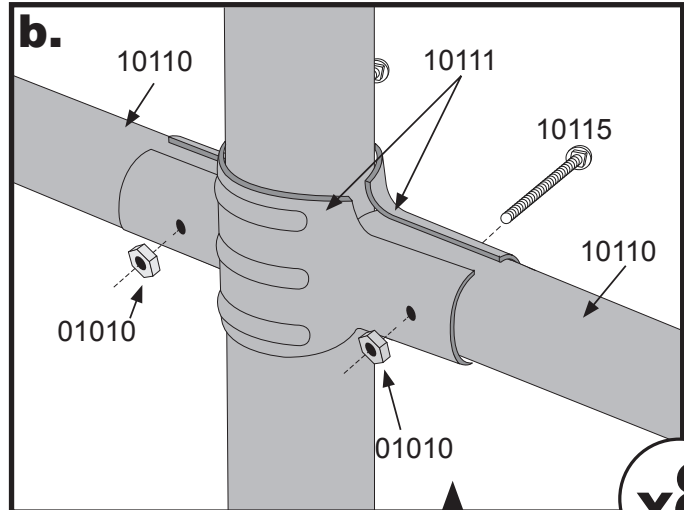
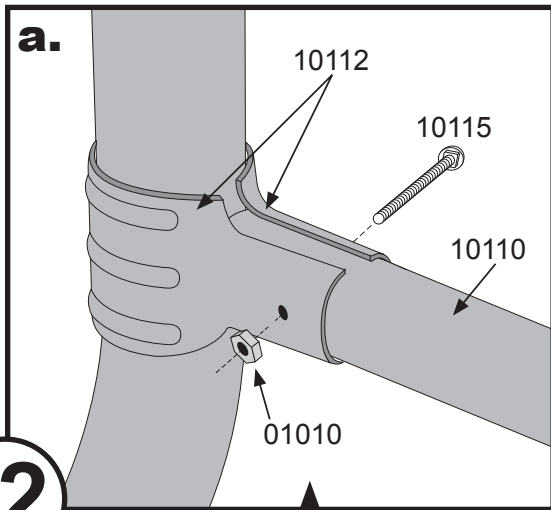
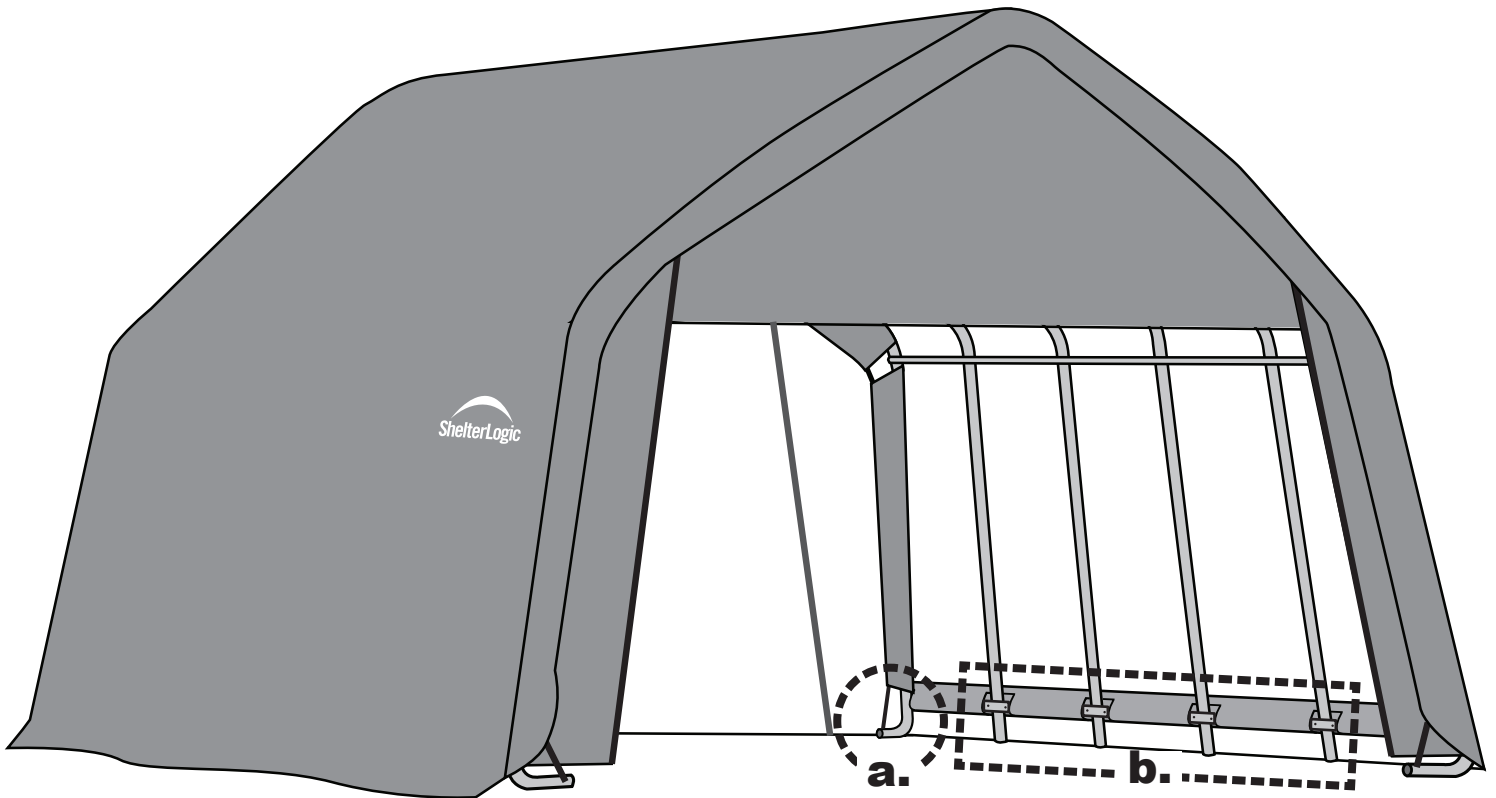
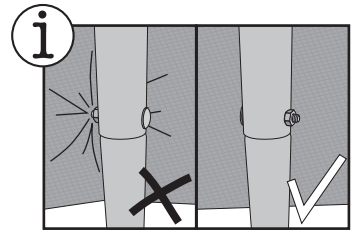
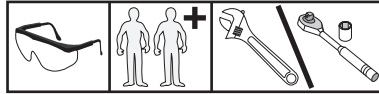
17.



18.

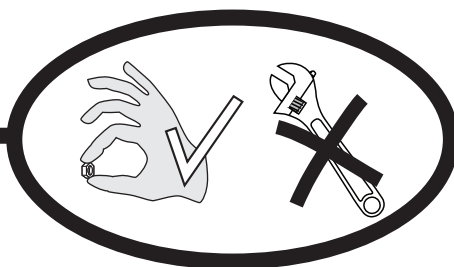


19.

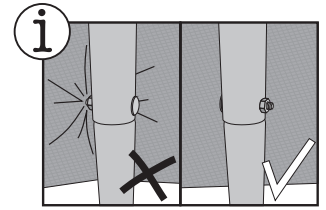
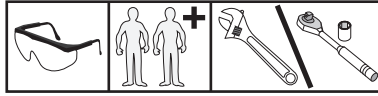


x2

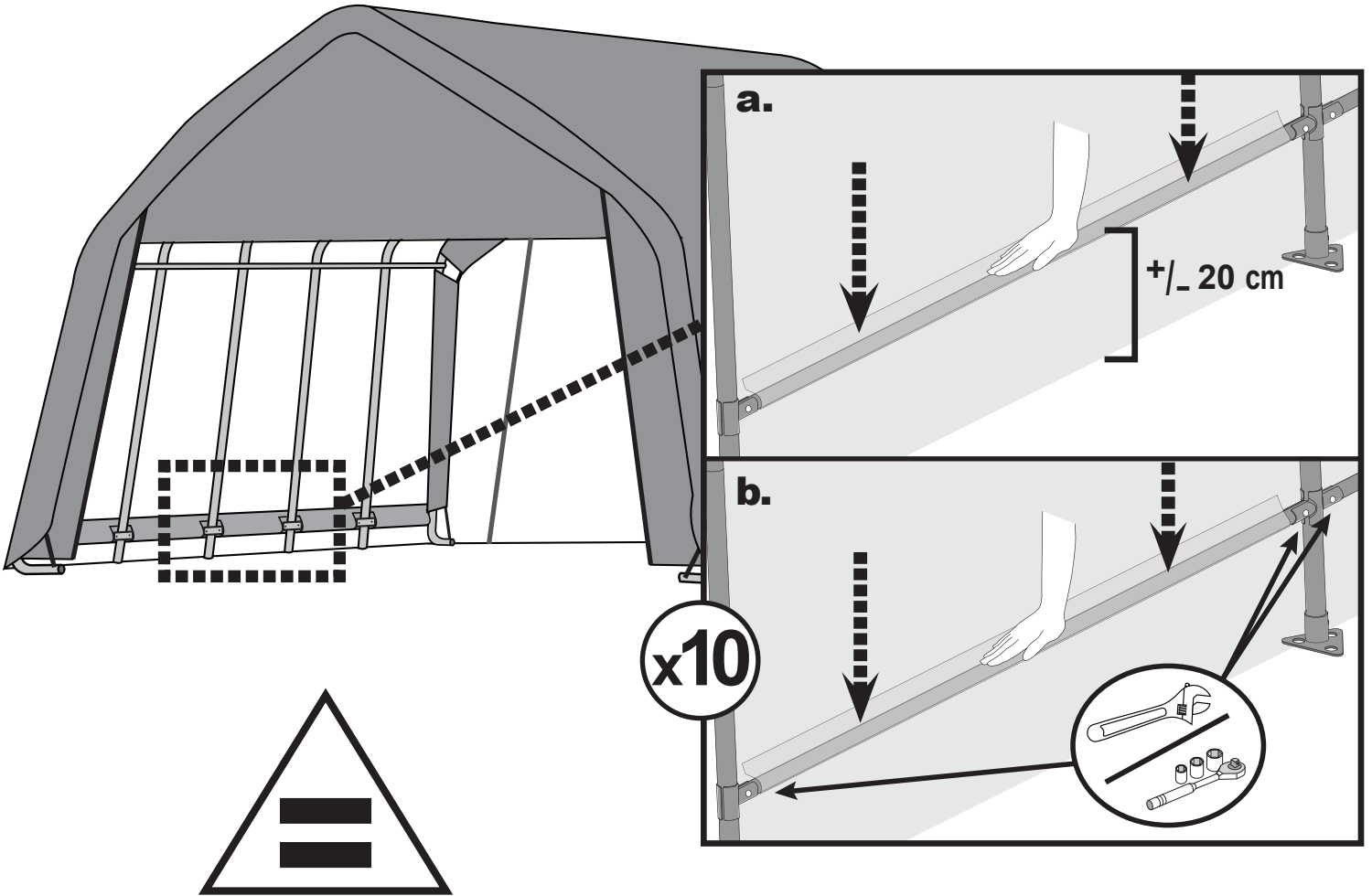
x8



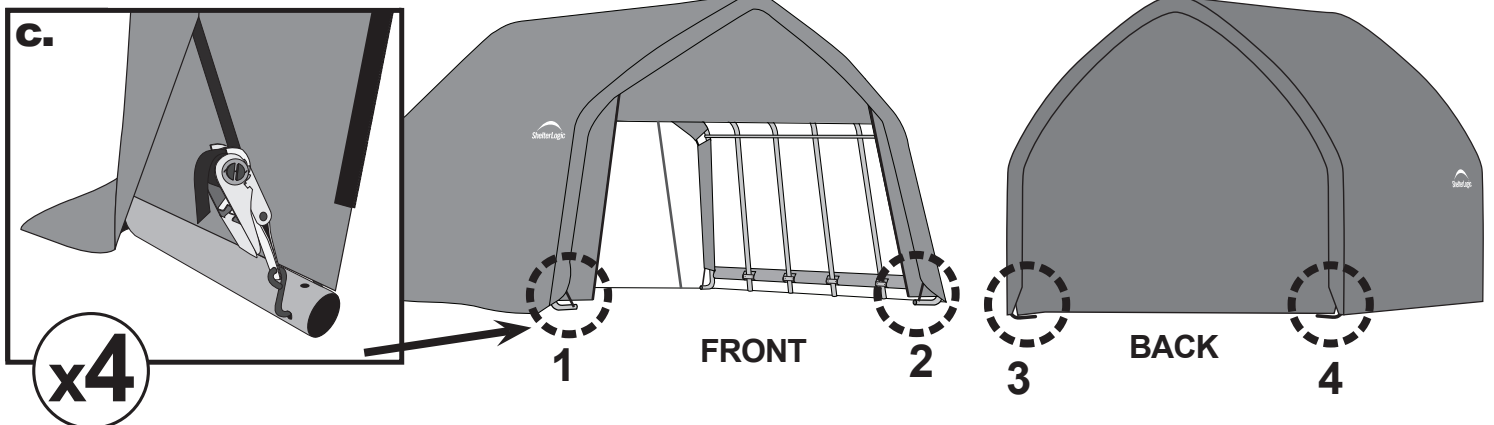
20.



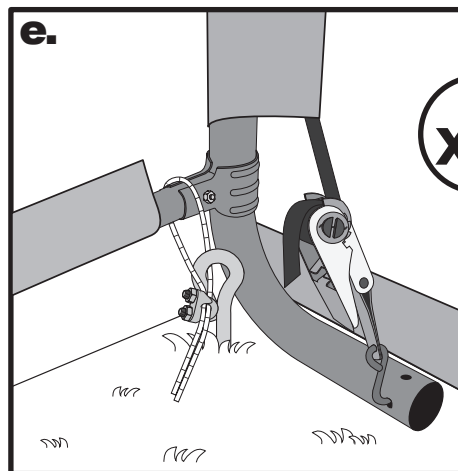
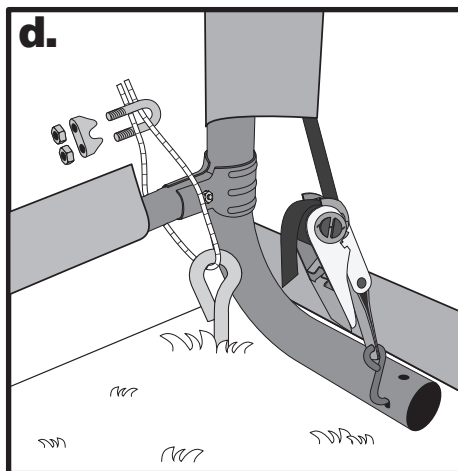
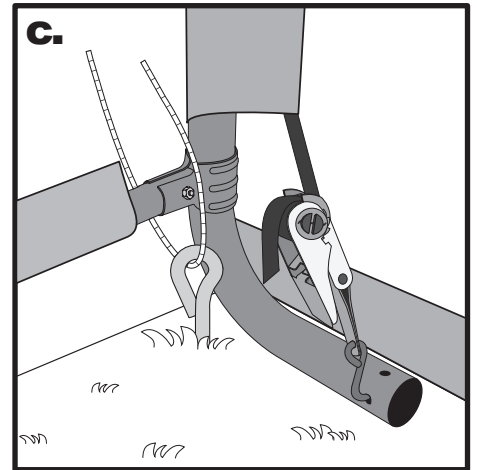
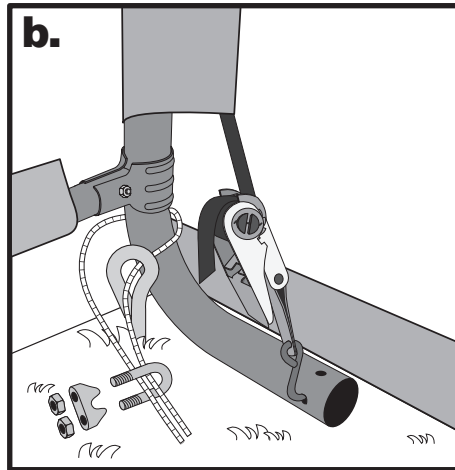
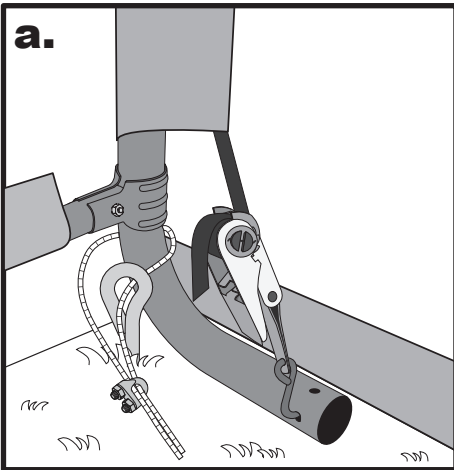
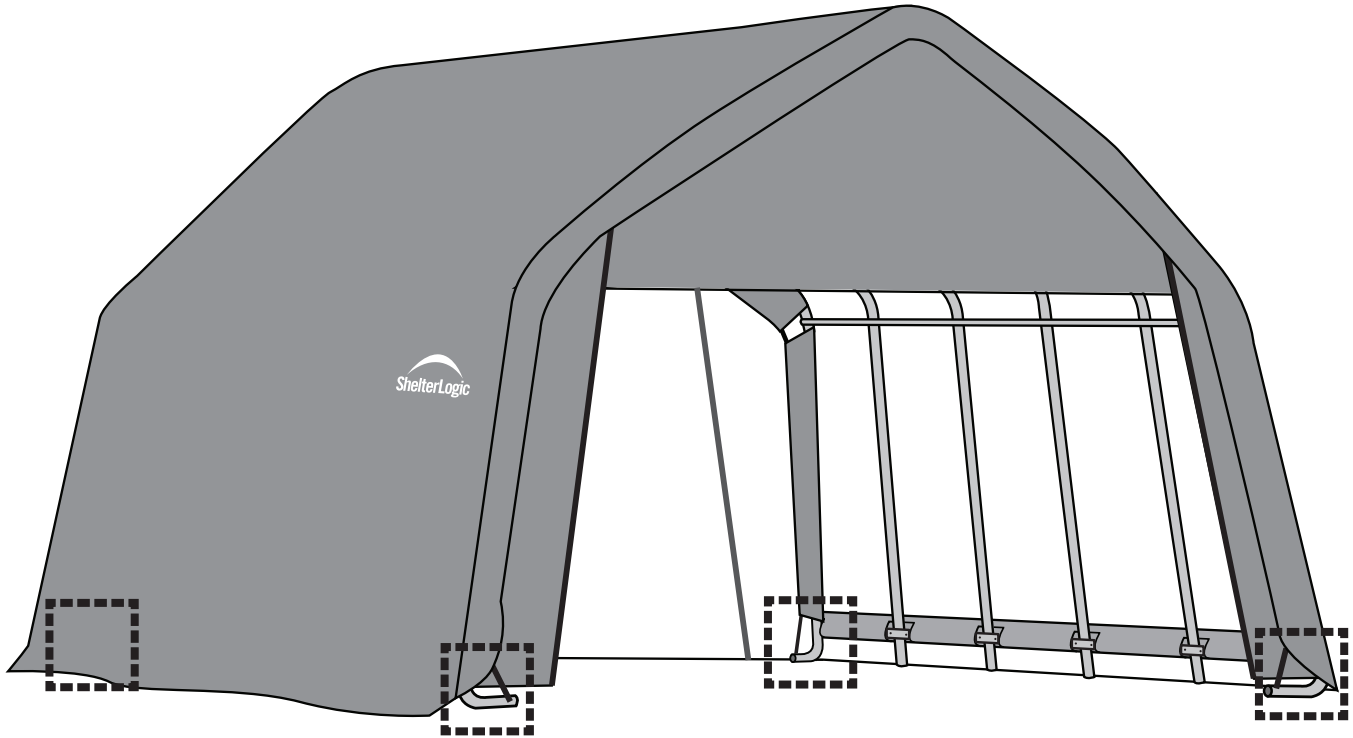
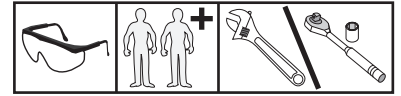
Check and tighten the cap every month to ensure long life.



Tighten ratchets 1 & 2,
then ratchets 3 and 4



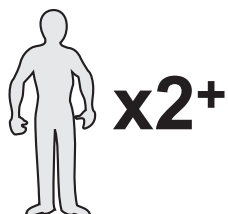
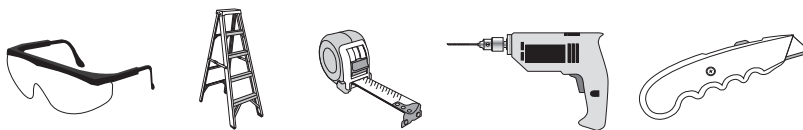
21.



Roll-Up Door Kit

Description of Parts:	Quantity
"S" Hooks	2
Plugs for Poles	2
Butterfly Cleat	1
Screws for Cleat	2
Philips Head Screwdriver Bit	1
Pipe, Plain End	1
Pipes, Swedged End	5
30,5 m Rope	1

NOTE: Review all parts included in the kit.



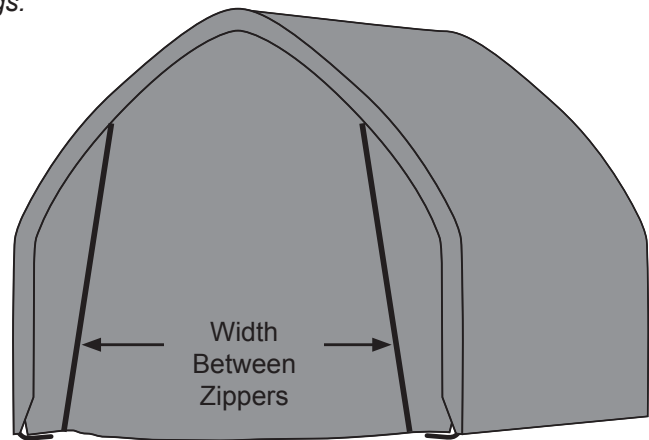
1. ASSEMBLE PIPES FOR BOTTOM POCKET OF DOOR.

A. Measure width of door between the zippers to determine size.

B. Slide pipes into one another to assemble.

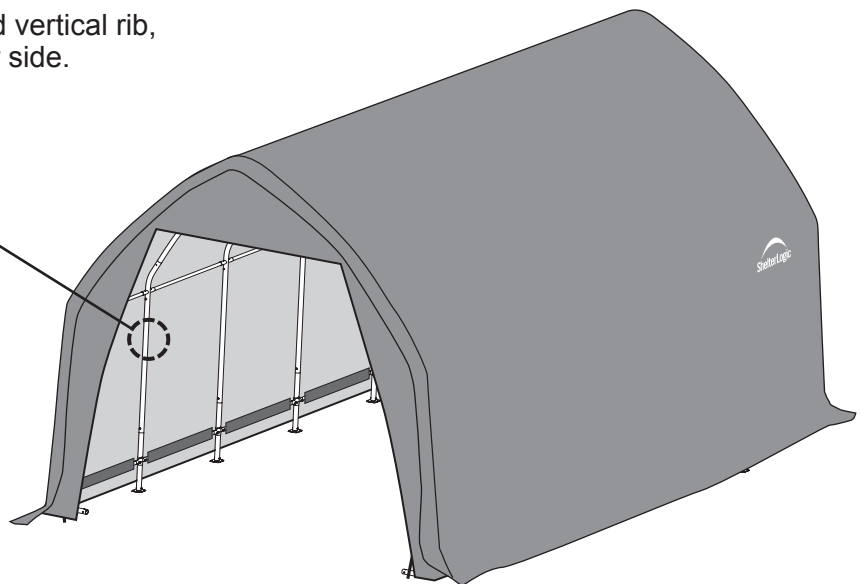
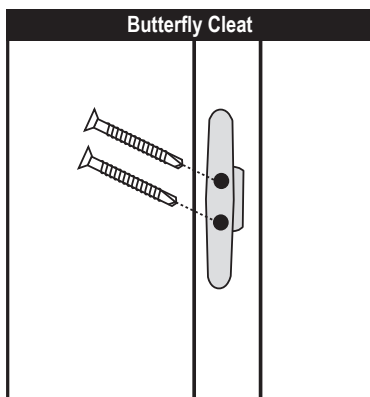
NOTE: Fill pipe with sand for added weight and insert plugs.

C. Slide pipe into pocket at bottom of door.



2. ATTACH BUTTERFLY CLEAT TO INSIDE OF SHELTER FRAME

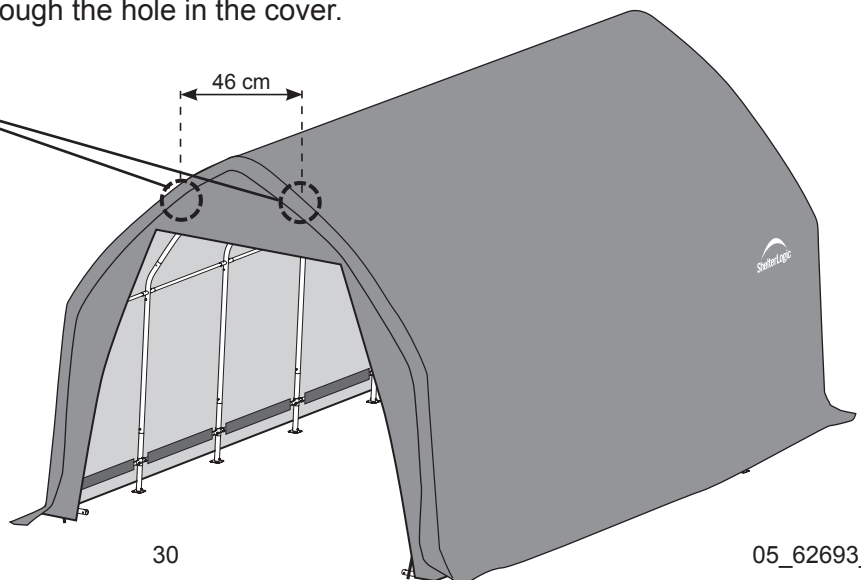
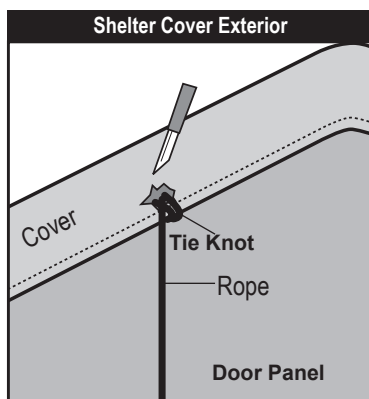
Attach butterfly cleat with screws to second vertical rib, about 20 cm down from cross rail on either side.



3. ATTACH ROPE ENDS TO OUTSIDE OF SHELTER COVER

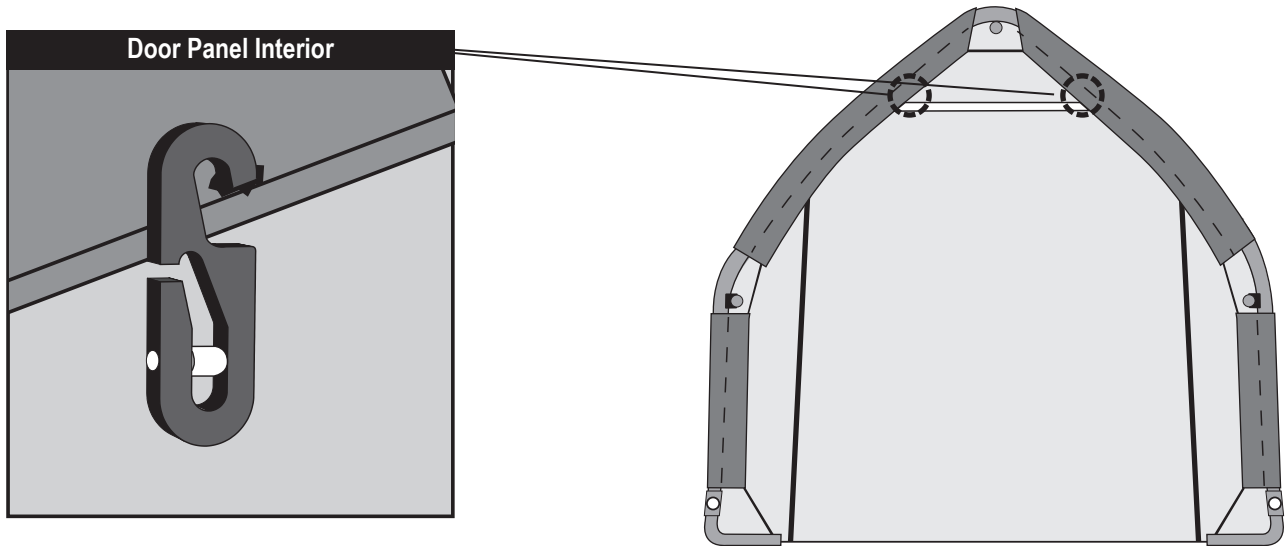
A. Cut a small slit/hole, approximately 45,7 cm in from zipper, on the outside of the cover, just above the webbing rope. Do this on both sides.

B. Tie a knot around the cover webbing through the hole in the cover.

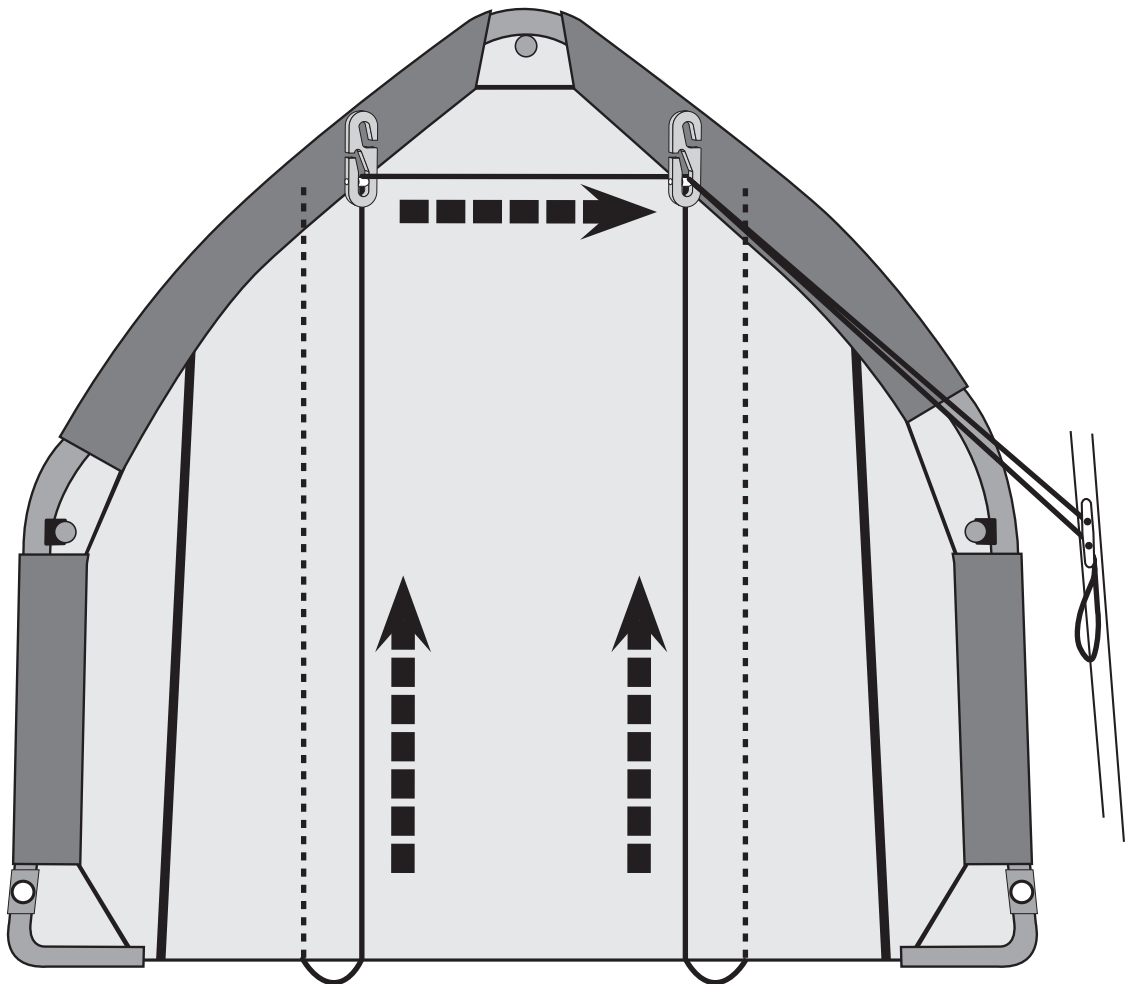


4. ATTACH "S" HOOKS AND ROPE TO THE INSIDE OF THE DOOR PANEL

A. Cut 2 more slits inside the shelter on door above the webbing. Hang each pulley here.



- B. Pass the rope from the knot down under the door and back up to the first pulley. Hook each rope on each pulley. Do this on both sides.
- C. On the opposite side of the cleat, bring one rope across top of the door to the other pulley and pass it through that pulley. You should have 2 pieces of rope hanging on the same side of the shelter as the cleat.
- D. Hand start to roll up the door holding the 2 ropes together. The door will start to roll up around the pipe from the bottom as you pull the ropes, similar to a window shade. Secure the ropes to cleat at preferred height.



INSIDE VIEW OF DOOR PANEL